



*is committed to advanced product design,
high quality and personalized
customer services.*

	PAGE		PAGE
RADIAL BALL BEARINGS		ECCENTRIC LOCKING COLLAR TYPE	
MINIATURE & INSTRUMENT TYPE		HCP200 Series	25
R- Series (Inch)	1	HCAK200 Series	26
600 Series (Metric)	2	SAP200 Series	27
SINGLE ROW — INCH		SAAK200 Series	27
1600 Series	3	ALP200 Series	24
DOUBLE ROW — METRIC		2-BOLT FLANGE UNITS	
5200 Series	4	SET SCREW TYPE	
5300 Series	5	UCFL200 Series	28
SINGLE ROW — RADIAL		SBFL200 Series	29
6000 Series	6	BLF200 Series	30
6200 Series	7	SBFTD200 Series	31
6300 Series	8	ECCENTRIC LOCKING COLLAR TYPE	
6400 Series	9	HCFT200 Series	32
6900 Series	10	SAFL200 Series	29
CARTRIDGE TYPE		ALF200 Series	30
W200 Series	11	SAFTD200 Series	31
W300 Series	11	4-BOLT FLANGE UNITS	
MAST GUIDE BEARINGS	12-13	SET SCREW TYPE	
ENGINEERING INFORMATION -RADIALS	14-15	UCF200 Series	33
MOUNTED BALL BEARING UNITS	16-17	UCFX200 Series	34
FLANGE HOUSING INFORMATION	18	SBF200 Series	35
PILLOW BLOCKS		UCFCF200 Series	36
SET SCREW TYPE		ECCENTRIC LOCKING COLLAR TYPE	
UCP200 Series	19	HCFS200 Series	37
UCAK200 Series	20	SAF200 Series	35
UCPX200 Series	21	3-BOLT FLANGE UNITS	
UCPA200 Series	22	SET SCREW TYPE	
SBP200 Series	23	SBTRD200 Series	38
SBAK200 Series	23	ECCENTRIC LOCKING COLLAR TYPE	
BLP200 Series	24	SATRD200 Series	38
		TAKE-UP UNITS (WIDE SLOT)	
		SET SCREW TYPE	
		UCT200 Series	39



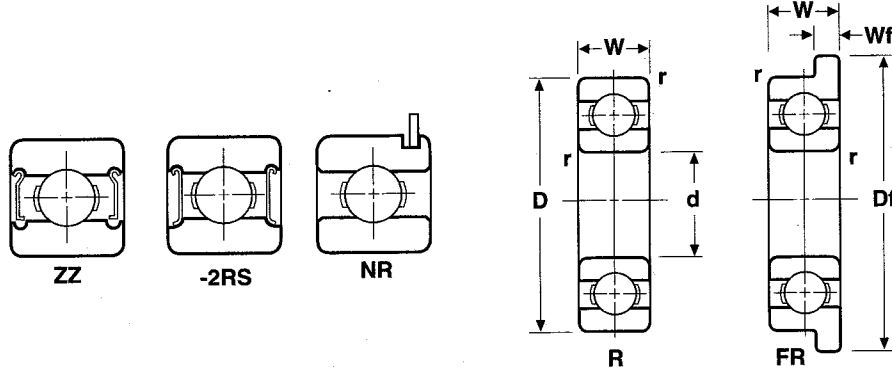
*is setting the standard of excellence...
Excellence through total commitment.*

	PAGE
PRESSED STEEL HOUSINGS UNITS	
PILLOW BLOCKS	
SBSP200 Series	40
SASP200 Series	40
2-BOLT FLANGE	
SBSFL200 Series	41
SASFL200 Series	41
3-BOLT TRIANGULAR FLANGES	
SBSTR200 Series	42
SASTR200 Series	42
3-BOLT ROUND FLANGES	
SBSF200 Series	43
SASF200 Series	43
INSERT BEARINGS	
SET SCREW TYPE	
SER200 Series	44
UC200, CUC200 Series	45
SB200, CSB200 Series	46
UCX200 Series	49
ECCENTRIC LOCKING COLLAR TYPE	
HC200, CHC200 Series	47
SA200, CSAC200 Series	48
AGRICULTURAL BEARINGS	
W200PPB, W200PP Series	50-51
GW200PPB, GW200PP Series	50-52
SPECIAL BEARINGS	53,55,64
WATER PUMP BEARINGS (AG)	54
INTERCHANGE INFORMATION	
Agricultural Bearings	63,64,71,73
Insert and Units	71-73
Mast Guide Bearings	12-13

	PAGE
Oil & Grease Seals	70
ENGINEERING INFORMATION	
Radial Ball Bearings	14-15
Inserts and Units	65-66-67
Decimal / Metric Equivalents	74
ANSI ROLLER CHAIN	
CHAIN TOOLS	56
SINGLE STRAND	56
SINGLE STRAND HEAVY	56
DOUBLE STRAND	57
TRIPLE STRAND	57
SINGLE STRAND HOLLOW PIN	58
NON STANDARD ROLLER CHAIN	58
STAINLESS STEEL "304"	59
NICKEL PLATED	59
ROLLERLESS CHAIN	59
AGRICULTURAL TYPE CHAIN	60
CONVEYOR TYPE	60-61
WR78 WELDED STEEL	61
81X CHAIN	61
LEAF CHAIN	62
SIDEBOW CHAIN	62
TAPERED ROLLER BEARINGS	68
OIL & GREASE SEALS	69
WARRANTY	
Limited Express Warranty / Limitation of Remedies & Liability	75

Single Row Radial Ball Bearings

INCH SERIES - R AND FR

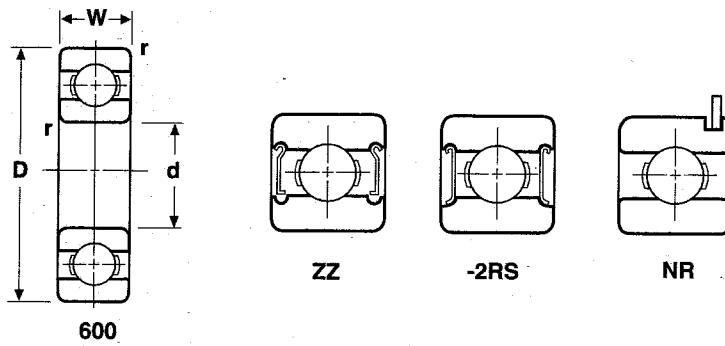


A&L Bearing Number	Bore d		Outer Diameter D		Width W Inch		Flange Dimensions Open		Radius r Inch	Basic Load Rating lbs.		Weight lbs. (Open)
	Fraction	Inch	Fraction	Inch	Open	Shielded	D _f	W _f		Dynamic C	Static C ₀	
RO1	1/25	.0400	1/8	.1250	.0469	—	—	—	0.004	21.5	5.9	—
RO	3/64	.0469	5/32	.1562	.0625	.0937	.203	.013	0.004	35.5	9.8	—
R1	—	.0550	3/16	.1875	.0781	.1094	.234	.023	0.004	41	12.7	—
R1-4	5/64	.0781	1/4	.2500	.0937	.1406	.296	.023	0.004	62	19.6	—
R133	3/32	.0937	3/16	.1875	.0625	.0937	.234	.018	0.004	27.5	9.3	—
R1-5	3/32	.0937	5/16	.3125	.1094	.1406	.359	.023	0.006	94	33.3	—
R144	1/8	.1250	1/4	.2500	.0937	.1094	.296	.023	0.004	63	21.5	—
R2-5	1/8	.1250	5/16	.3125	.1094	.1406	.359	.023	0.004	123	39.2	.002
R2-6	1/8	.1250	3/8	.3750	.1094	.1406	.422	.023	0.006	141	49.0	.002
R2	1/8	.1250	3/8	.3750	.1562	.1562	.440	.030	0.012	141	49.0	.003
R2A	1/8	.1250	1/2	.5000	.1719	.1719	—	—	0.012	253	87.2	.006
R155	5/32	.1562	5/16	.3125	.1094	.1250	.359	.023	0.004	74.5	29.4	.001
R156	3/16	.1875	5/16	.3125	.1094	.1250	.359	.023	0.004	87	31.4	.001
R166	3/16	.1875	3/8	.3750	.1250	.1250	.422	.023	0.004	157	58.8	.002
R3	3/16	.1875	1/2	.5000	.1562	.1960	.565	.042	0.012	289	107.8	.005
R3A	3/16	.1875	1/2	.5000	.1960	.1960	—	—	0.012	286	107.8	.006
R168	1/4	.2500	3/8	.3750	.1250	.1250	.422	.023	0.004	59	30.4	.001
R188	1/4	.2500	1/2	.5000	.1250	.1875	.547	.023	0.006	182	82.3	.004
R4	1/4	.2500	5/8	.6250	.1960	.1960	.690	.042	0.012	325	135	.010
R4A	1/4	.2500	3/4	.7500	.2188	.2812	—	—	0.016	509	193	.017
R6	3/8	.3750	7/8	.8750	.2188	.2812	.969	.062	0.016	723	306	.029
R8	1/2	.5000	1-1/8	1.1250	.2500	.3125	.225	.062	0.016	1115	524	.040
R10	5/8	.6250	1-3/8	1.3750	.2812	.3438	—	—	0.031	1309	713	.067
R12	3/4	.7500	1-5/8	1.6250	.3125	.4375	—	—	0.031	1727	970	.100
R14	7/8	.8750	1-7/8	1.8750	.3750	.5000	—	—	0.031	2202	1261	.159
R16	1	1.0000	2	2.0000	.3750	.5000	—	—	0.031	2192	1300	.178
R18	1-1/8	1.1250	2-1/8	2.1250	.3750	.5000	—	—	0.031	2880	1804	.194
R20	1-1/4	1.2500	2-1/4	2.2500	.3750	.5000	—	—	0.031	2570	1756	.200
R22	1-3/8	1.3750	2-1/2	2.2500	.4375	.5625	—	—	0.031	2699	1872	.227
R24	1-1/2	1.5000	2-5/8	2.6250	.4375	.5625	—	—	0.031	2850	2093	.303

"Note: For flanged OD add "F" to number prefix.

Metric Miniature & Instrument Bearings

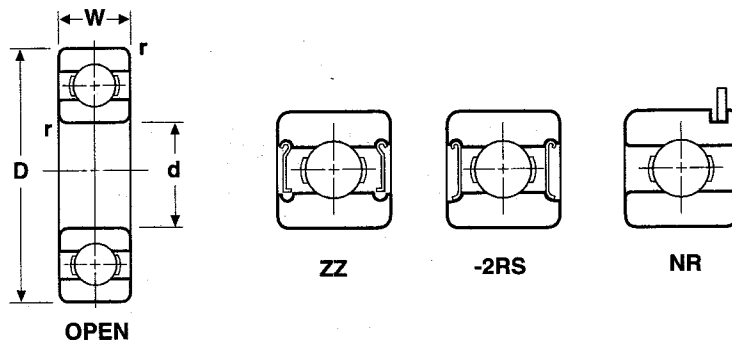
SERIES 600



A&L Bearing Number	Bore d	Outer Diameter D	Width W		Radius r	Basic Load Rating lbs.		Weight lbs. (Open)
			Open	Shielded		Dynamic C	Static C ₀	
681	1	3	1	—	0.15	17.5	4.9	—
691	1	4	1.6	—	0.2	34.3	9.3	—
682	2	5	1.5	2.3	0.2	37.2	10.9	—
692	2	6	2.3	3	0.3	61.7	19.6	—
602	2	7	2.8	3.5	0.3	84	27.5	.001
683	3	7	2	3	0.3	85.3	28.4	—
693	3	8	3	4	0.3	123	39.2	—
603	3	9	3	—	0.3	139	48	.002
623	3	10	4	4	0.3	141	49	.003
684	4	9	2.5	4	0.3	141	49	.004
694	4	11	4	4	0.3	158	61	.005
604	4	12	4	4	0.4	214	78	.006
624	4	13	5	5	0.4	289	108	.007
634	4	16	5	5	0.3	388	150	.011
685	5	11	3	5	0.3	138	62	.006
695	5	13	4	4	0.4	237	95	.007
605	5	14	5	5	0.4	293	112	.008
625	5	16	5	5	0.3	387	150	.011
635	5	19	6	6	0.3	515	195	.018
686	6	13	3.5	5	0.3	238	97	.017
696	6	15	5	5	0.4	299	117	.011
606	6	17	6	6	0.5	485	191	.013
626	6	19	6	6	0.5	515	195	.018
607	7	19	6	6	0.3	495	201	.018
627	7	22	7	7	0.3	735	309	.029
688	8	16	4	5	0.3	277	128	.022
698	8	19	6	6	0.3	436	190	.024
608	8	22	7	7	0.3	735	309	.026
628	8	24	8	8	0.3	882	350	.037
689	9	17	4	5	0.3	382	180	—
699	9	20	6	6	0.3	548	240	—
609	9	24	7	7	0.3	750	319	.031
629	9	26	8	8	0.6	1010	431	.044

Single Row Radial Ball Bearings

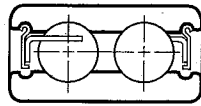
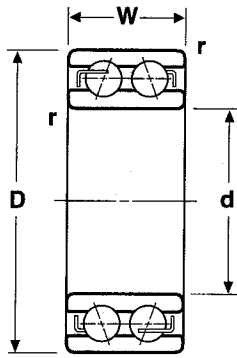
INCH SERIES - 1600



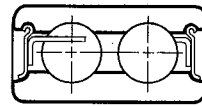
A&L Bearing Number	Bore d		Outer Diameter D		Width W		Radius r Inch	Basic Load Rating lbs.		Weight lbs
	Fraction	Inch	Fraction	Inch	Fraction	Inch		Dynamic C	Static C ₀	
1601	3/16	.1875	11/16	.6875	1/4	.2500	0.012	335	161	.015
1602	1/4	.2500	11/16	.6875	1/4	.2500	0.012	335	161	.013
1603	5/16	.3125	7/8	.8750	9/32	.2812	0.012	564	297	.024
1604	3/8	.3750	7/8	.8750	9/32	.2812	0.015	564	297	.032
1605	5/16	.3125	29/32	.9062	5/16	.3125	0.012	564	297	.026
1606	3/8	.3750	29/32	.9062	5/16	.3125	0.015	564	297	.030
1607	7/16	.4375	29/32	.9062	5/16	.3125	0.015	788	429	.034
1614	3/8	.3750	1-1/8	1.1250	3/8	.3750	0.025	869	497	.076
1615	7/16	.4375	1-1/8	1.1250	3/8	.3750	0.025	869	497	.070
1616	1/2	.5000	1-1/8	1.1250	3/8	.3750	0.025	869	497	.065
1620	7/16	.4375	1-3/8	1.3750	7/16	.4375	0.025	1303	769	.108
1621	1/2	.5000	1-3/8	1.3750	7/16	.4375	0.025	1303	769	.104
1622	9/16	.5625	1-3/8	1.3750	7/16	.4375	0.025	1303	769	.099
1623	5/8	.6250	1-3/8	1.3750	7/16	.4375	0.025	1303	769	.087
1628	5/8	.6250	1-5/8	1.6250	1/2	.5000	0.025	1603	986	.157
1630	3/4	.7500	1-5/8	1.6250	1/2	.5000	0.025	1603	986	.141
1633	5/8	.6250	1-3/4	1.7500	1/2	.5000	0.025	1603	986	.200
1635	3/4	.7500	1-3/4	1.7500	1/2	.5000	0.025	1603	986	.184
1638	3/4	.7500	2	2.0000	9/16	.5625	0.035	2390	1540	.261
1640	7/8	.8750	2	2.0000	9/16	.5625	0.035	2390	1540	.243
1641	1	1.0000	2	2.0000	9/16	.5625	0.035	2390	1540	.218
1652	1-1/8	1.1250	2-1/2	2.5000	5/8	.6250	0.035	2837	1862	.456
1654	1-1/4	1.2500	2-1/2	2.5000	5/8	.6250	0.035	2837	1862	.413
1657	1-1/4	1.2500	2-9/16	2.5625	11/16	.6875	0.035	3318	2217	.467
1658	1-5/16	1.3125	2-9/16	2.5625	11/16	.6875	0.035	3318	2217	.434

Double Row Angular Contact Ball Bearings

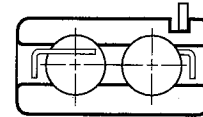
NON FILLING-SLOT TYPE SERIES 5200



ZZ



- 2RS

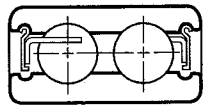


NR

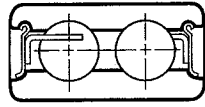
A&L Bearing Number	Bore d		Outer Diameter D		Width W			Radius r		Basic Load Rating lbs.		Weight lbs.
	mm	Inch	mm	Inch	mm	Fraction	Inch	mm	Inch	Dynamic C	Static C ₀	
5200	10	.3937	30	1.1811	14.3	9/16	.5630	0.8	.032	1560	855	.108
5201	12	.4724	32	1.2598	15.9	5/8	.6260	0.8	.032	2050	1140	.126
5202	15	.5906	35	1.3780	15.9	5/8	.6260	1.0	.039	2260	1360	.141
5203	17	.6693	40	1.5748	17.5	11/16	.6890	1.0	.039	2870	1770	.212
5204	20	.7874	47	1.8504	20.6	13/16	.8110	1.5	.059	4300	2710	.337
5205	25	.9843	52	2.0472	20.6	13/16	.8110	1.5	.059	4650	3200	.386
5206	30	1.1811	62	2.4409	23.8	15/16	.9375	1.5	.059	6450	4600	.631
5207	35	1.3780	72	2.8346	27.0	1-1/16	1.0630	2.0	.079	8500	6250	.961
5208	40	1.5748	80	3.1496	30.2	1-3/16	1.1890	2.0	.079	9600	7250	1.30
5209	45	1.7717	85	3.3465	30.2	1-3/16	1.1890	2.0	.079	10800	8300	1.41
5210	50	1.9685	90	3.5433	30.2	1-3/16	1.1890	2.0	.079	11500	9400	1.52
5211	55	2.1654	100	3.9370	33.3	1-5/16	1.3110	2.5	.098	14200	11900	2.17
5212	60	2.3622	110	4.3307	36.5	1-7/16	1.4370	2.5	.098	16100	13100	2.80
5213	65	2.5591	120	4.7244	38.1	1-1/2	1.5000	2.5	.098	18700	16300	3.46
5214	70	2.7559	125	4.9213	39.7	1-9/16	1.5630	2.5	.098	20400	17900	3.97
5215	75	2.9528	130	5.1181	41.3	1-5/8	1.6260	2.5	.098	20300	18100	4.19
5216	80	3.1496	140	5.5118	44.4	1-3/4	1.7480	3.0	.118	23800	21400	5.27
5217	85	3.3465	150	5.9055	49.2	1-15/16	1.9375	3.0	.118	25100	23900	6.75
5218	90	3.5433	160	6.2992	52.4	2-1/16	2.0630	3.0	.118	31500	29000	8.22

Double Row Angular Contact Ball Bearings

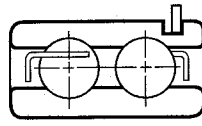
NON FILLING-SLOT TYPE SERIES 5300



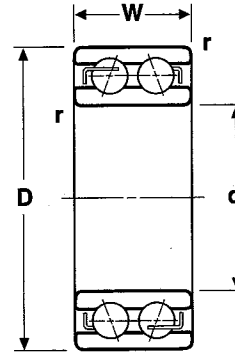
ZZ



- 2RS



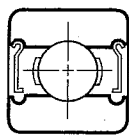
NR



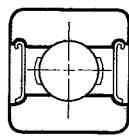
A&L Bearing Number	Bore d		Outer Diameter D		Width W			Radius r		Basic Load Rating lbs.		Weight lbs.
	mm	Inch	mm	Inch	mm	Fraction	Inch	mm	Inch	Dynamic C	Static C ₀	
5300	10	.3937	35	1.3780	19.0	3/4	.7500	0.6	.024	1714	1212	0.22
5301	12	.4724	37	1.4567	19.0	3/4	.7500	1.1	.043	1976	1375	0.23
5302	15	.5906	42	1.6535	19.0	3/4	.7500	1.5	.059	3850	2260	0.291
5303	17	.6693	47	1.8504	22.2	7/8	.8740	1.5	.059	2870	1770	0.212
5304	20	.7874	52	2.0472	22.2	7/8	.8740	2.0	.079	4650	2850	0.478
5305	25	.9843	62	2.4409	25.4	1	1.0000	2.0	.079	6850	4600	0.798
5306	30	1.1811	72	2.8346	30.2	1-3/16	1.1890	2.0	.079	8900	6200	1.22
5307	35	1.3780	80	3.1496	34.9	1-3/8	1.3740	2.5	.098	11100	7850	1.69
5308	40	1.5748	90	3.5433	36.5	1-7/16	1.4370	2.5	.098	13600	9850	2.23
5309	45	1.7717	100	3.9370	39.7	1-9/16	1.5630	2.5	.098	16300	12100	2.95
5310	50	1.9685	110	4.3307	44.4	1-3/4	1.7480	3.0	.118	19200	14500	3.99
5311	55	2.1654	120	4.7244	49.2	1-15/16	1.9370	3.0	.118	23900	18500	5.11
5312	60	2.3622	130	5.1181	54.0	2-1/8	2.1260	3.5	.138	27300	21400	6.72
5313	65	2.5591	140	5.5118	58.7	2-5/16	2.3110	3.5	.138	31000	24600	8.73
5314	70	2.7559	150	5.9055	63.5	2-1/2	2.5000	3.5	.138	35000	28000	10.4
5315	75	2.9528	160	6.2992	68.3	2-11/16	2.6890	3.5	.138	38000	31500	12.5
5316	80	3.1496	170	6.6929	68.3	2-11/16	2.6890	3.5	.138	41040	35400	15.0

Single Row Radial Ball Bearings

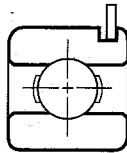
SERIES 6000



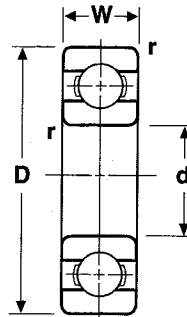
ZZ



-2RS



NR

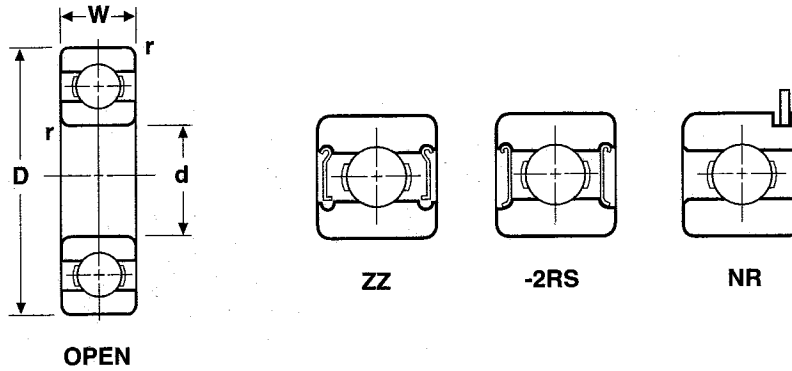


OPEN

A&L Bearing Number	Bore d		Outer Diameter D		Width W		Radius r		Basic Load Rating lbs.		Weight lbs.
	mm	Inch	mm	Inch	mm	Inch	mm	Inch	Dynamic C	Static C ₀	
6000	10	.3937	26	1.0236	8	.3150	0.5	.020	1030	440	.042
6001	12	.4724	28	1.1024	8	.3125	0.5	.020	1150	540	.049
6002	15	.5906	32	1.2598	9	.3543	0.5	.020	1260	635	.066
6003	17	.6693	35	1.3780	10	.3937	0.5	.020	1530	755	.086
6004	20	.7874	42	1.6535	12	.4724	1.0	.039	2110	1140	.152
6005	25	.9843	47	1.8504	12	.4724	1.0	.039	2260	1320	.176
6006	30	1.1811	55	2.1654	13	.5118	1.5	.059	2970	1860	.256
6007	35	1.3780	62	2.4409	14	.5512	1.5	.059	3600	2310	.342
6008	40	1.5748	68	2.6772	15	.5906	1.5	.059	3150	2590	.423
6009	45	1.7717	75	2.9528	16	.6299	1.5	.059	4700	3400	.540
6010	50	1.9685	80	3.1496	16	.6299	1.5	.059	4900	3750	.575
6011	55	2.1654	90	3.5433	18	.7087	1.5	.059	6350	4800	.849
6012	60	2.3622	95	3.7402	18	.7087	2.0	.079	6600	5200	.915
6013	65	2.5591	100	3.9370	18	.7087	2.0	.079	6850	5650	.959
6014	70	2.7559	110	4.3307	20	.7874	2.0	.079	8550	6950	1.33
6015	75	2.9528	115	4.5276	20	.7874	2.0	.079	8900	7550	1.41
6016	80	3.1496	125	4.9213	22	.8661	2.0	.079	10700	8950	1.87
6017	85	3.3465	130	5.1181	22	.8661	2.0	.079	11100	9700	1.96
6018	90	3.5433	140	5.5118	24	.9449	2.5	.098	13100	11200	2.56
6019	95	3.7402	145	5.7087	24	.9449	2.5	.098	13600	12100	2.67
6020	100	3.9370	150	5.9055	24	.9449	2.5	.098	13500	12200	2.76
6021	105	4.1339	160	6.2992	26	1.0236	3.0	.118	16300	14800	3.51
6022	110	4.3307	170	6.6929	28	1.1024	3.0	.118	18400	16400	4.32
6024	120	4.7244	180	7.0866	28	1.1024	3.0	.118	19100	17800	4.56
6026	130	5.1181	200	7.8740	33	1.2992	3.0	.118	23900	22700	6.97
6028	140	5.5118	210	8.2677	33	1.2992	3.0	.118	24700	24400	7.39
6030	150	5.9055	225	8.8583	35	1.3780	3.5	.138	28300	28300	8.99
6032	160	6.2992	240	9.4488	38	1.4961	3.5	.138	32000	32500	11.1
6034	170	6.6929	260	10.2362	42	1.6535	3.5	.138	38000	38500	17.5
6036	180	7.0866	280	11.0236	46	1.8110	3.5	.138	42500	44500	22.7

Single Row Radial Ball Bearings

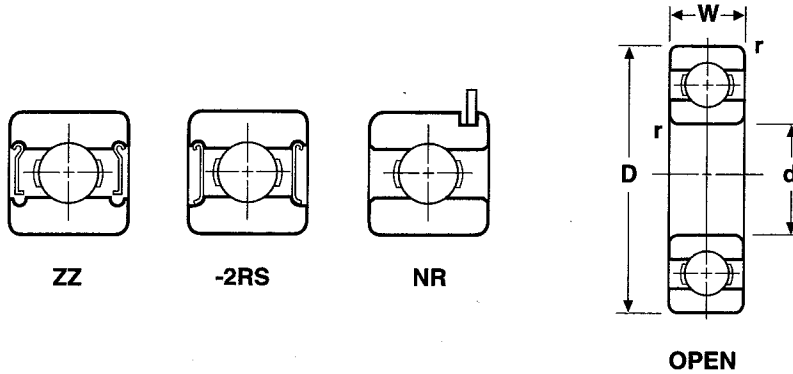
SERIES 6200



A&L Bearing Number	Bore d		Outer Diameter D		Width W		Radius r		Basic Load Rating lbs.		Weight lbs.
	mm	Inch	mm	Inch	mm	Inch	mm	Inch	Dynamic C	Static C ₀	
6200	10	.3937	30	1.1811	9	.3543	1.0	.039	1150	540	.071
6201	12	.4724	32	1.2598	10	.3937	1.0	.039	1370	615	.082
6201-1/2	12.7	.5000	32	1.2598	10	.3937	1.0	.039	1370	615	.082
6201-13	13	.5118	32	1.2598	10	.3937	1.0	.039	1370	615	.082
6202	15	.5906	35	1.3780	11	.4331	1.0	.039	1740	805	.099
6202-1/2	12.7	.5000	35	1.3780	11	.4331	1.0	.039	1740	805	.099
6202-5/8	15.875	.6250	35	1.3780	11	.4331	1.0	.039	1740	805	.099
6202-16	16	.6299	35	1.3780	11	.4331	1.0	.039	1740	805	.099
6203	17	.6693	40	1.5748	12	.4724	1.0	.039	2160	1030	.143
6203-15	15	.5906	40	1.5748	12	.4724	1.0	.039	2160	1030	.143
6203-5/8	15.875	.6250	40	1.5748	12	.4724	1.0	.039	2160	1030	.143
6203-16	16	.6299	40	1.5748	12	.4724	1.0	.039	2160	1030	.143
6203-3/4	19.05	.7500	40	1.5748	12	.4724	1.0	.039	2160	1030	.143
6204	20	.7874	47	1.8504	14	.5512	1.5	.059	2890	1500	.234
6204-3/4	19.05	.7500	47	1.8504	14	.5512	1.5	.059	2890	1500	.234
6204-7/8	22.225	.8750	47	1.8504	14	.5512	1.5	.059	2890	1500	.234
6205	25	.9843	52	2.0472	15	.5906	1.5	.059	3150	1770	.282
6205-1	25.4	1.0000	52	2.0472	15	.5906	1.5	.059	3150	1770	.280
6206	30	1.1811	62	2.4409	16	.6299	1.5	.059	4400	2540	.439
6207	35	1.3780	72	2.8346	17	.6693	2.0	.079	5750	3450	.635
6208	40	1.5748	80	3.1496	18	.7087	2.0	.079	6550	4000	.807
6209	45	1.7717	85	3.3465	19	.7480	2.0	.079	7350	4600	.897
6210	50	1.9685	90	3.5433	20	.7874	2.0	.079	7900	5200	1.02
6211	55	2.1654	100	3.9370	21	.8268	2.5	.098	9750	6550	1.34
6212	60	2.3622	110	4.3307	22	.8661	2.5	.098	11800	8150	1.73
6213	65	2.5591	120	4.7244	23	.9055	2.5	.098	12900	9000	2.18
6214	70	2.7559	125	4.9213	24	.9449	2.5	.098	14000	9900	2.36
6215	75	2.9528	130	5.1181	25	.9843	2.5	.098	14900	11100	2.60
6216	80	3.1496	140	5.5118	26	1.0236	3.0	.118	16500	11900	3.09
6217	85	3.3465	150	5.9055	28	1.1024	3.0	.118	18700	14300	3.95
6218	90	3.5433	160	6.2992	30	1.1811	3.0	.118	21600	16100	4.74
6219	95	3.7402	170	6.6929	32	1.2598	3.5	.138	24500	18400	5.78
6220	100	3.9370	180	7.0866	34	1.3386	3.5	.138	27500	20900	6.92
6221	105	4.1339	190	7.4803	36	1.4173	3.5	.138	29900	25500	8.16
6222	110	4.3307	200	7.8740	38	1.4961	3.5	.138	32500	26300	9.61
6224	120	4.7244	215	8.4646	40	1.5748	3.5	.138	35000	29500	11.4
6226	130	5.1181	230	9.0551	40	1.5748	4.0	.157	37500	33000	12.8
6228	140	5.5118	250	9.8425	42	1.6535	4.0	.157	37500	33500	16.5
6230	150	5.9055	270	10.6299	45	1.7717	4.0	.157	39500	37500	20.7

Single Row Radial Ball Bearings

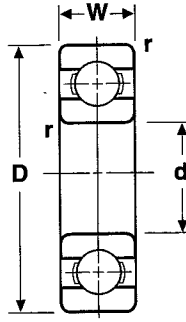
SERIES 6300



A&L Bearing Number	Bore d		Outer Diameter D		Width W		Radius r		Basic Load Rating lbs.		Weight lbs.
	mm	Inch	mm	Inch	mm	Inch	mm	Inch	Dynamic C	Static C ₀	
6300	10	.3937	35	1.3780	11	.4331	1.0	.039	1840	785	.117
6301	12	.4724	37	1.4567	12	.4724	1.5	.059	2180	940	.132
6302	15	.5906	42	1.6535	13	.5118	1.5	.059	2570	1220	.181
6303	17	.6693	47	1.8504	14	.5512	1.5	.059	3050	1470	.254
6304	20	.7874	52	2.0472	15	.5906	2.0	.079	3600	1770	.317
6305	25	.9843	62	2.4409	17	.6693	2.0	.079	4750	2460	.511
6306	30	1.1811	72	2.8346	19	.7480	2.0	.079	5000	3400	.763
6307	35	1.3780	80	3.1496	21	.8268	2.5	.098	7500	4300	1.01
6308	40	1.5748	90	3.5433	23	.9055	2.5	.098	9150	5400	1.40
6309	45	1.7717	100	3.9370	25	.9843	2.5	.098	11900	7200	1.84
6310	50	1.9685	110	4.3307	27	1.0630	3.0	.118	13900	8600	2.36
6311	55	2.1654	120	4.7244	29	1.1417	3.0	.118	16100	10100	3.02
6312	60	2.3622	130	5.1181	31	1.2205	3.5	.138	18400	11700	3.75
6313	65	2.5591	140	5.5118	33	1.2992	3.5	.138	20800	13400	4.59
6314	70	2.7559	150	5.9055	35	1.3780	3.5	.138	23400	15300	5.56
6315	75	2.9526	160	6.2992	37	1.4567	3.5	.138	25500	17400	6.66
6316	80	3.1496	170	6.6929	39	1.5354	3.5	.138	27600	19500	7.91
6317	85	3.3465	180	7.0866	41	1.6142	4.0	.157	29800	21800	9.33
6318	90	3.5433	190	7.4803	43	1.6929	4.0	.157	32000	24100	10.8
6319	95	3.7402	200	7.8740	45	1.7717	4.0	.157	34500	26600	12.5
6320	100	3.9370	215	8.4646	47	1.8504	4.0	.157	39000	31500	15.4
6321	105	4.1339	225	8.8583	49	1.9291	4.0	.157	41500	34500	17.7
6322	110	4.3307	240	9.4488	50	1.9685	4.0	.157	46000	40500	21.0
6324	120	4.7244	260	10.2362	55	2.1654	4.0	.157	46500	41500	27.3
6326	130	5.1181	280	11.0236	58	2.2835	5.0	.197	51500	48000	33.3
6328	140	5.5118	300	11.8110	62	2.4409	5.0	.197	57000	55500	40.8
6330	150	5.9055	320	12.5984	65	2.5591	5.0	.197	61500	63500	57.8

Single Row Radial Ball Bearings

SERIES 6400

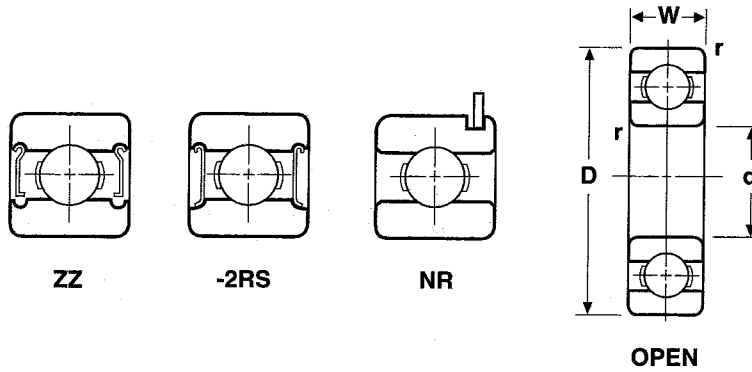


OPEN

A&L Bearing Number	Bore d		Outer Diameter D		Width W		Radius r		Basic Load Rating lbs.		Weight lbs.
	mm	Inch	mm	Inch	mm	Inch	mm	Inch	Dynamic C	Static C ₀	
6404	20	.7874	72	2.8346	19	.7480	1.0	.039	4800	3150	.90
6405	25	.9843	80	3.1496	21	.8268	1.5	.059	6400	3950	1.19
6406	30	1.1811	90	3.5433	23	.9055	1.5	.059	9750	5350	1.59
6407	35	1.3780	100	3.9370	25	.9843	1.5	.059	12400	7000	2.06
6408	40	1.5748	110	4.3307	27	1.0630	2.0	.079	14300	8200	2.69
6409	45	1.7717	120	4.7244	29	1.1417	2.0	.079	17300	10100	3.41
6410	50	1.9685	130	5.1181	31	1.2205	2.0	.079	18700	11100	4.20
6411	55	2.1654	140	5.5118	33	1.2992	2.0	.079	20000	12100	5.13
6412	60	2.3622	150	5.9055	35	1.3780	2.0	.079	22900	14400	6.22
6413	65	2.5591	160	6.2992	37	1.4567	2.0	.079	24900	16200	7.44
6414	70	2.7559	180	7.0866	42	1.6535	2.5	.098	28800	20100	11.0
6415	75	2.9528	190	7.4803	45	1.7717	2.5	.098	31000	22300	13.1
6416	80	3.1496	200	7.8740	48	1.8898	2.5	.098	35000	28200	15.3
6417	85	3.3465	210	8.2677	52	2.0472	3.0	.118	37000	28700	18.8
6418	90	3.5433	225	8.8583	54	2.1260	3.0	.118	41500	33500	25.4

Single Row Radial Ball Bearings

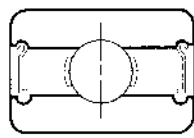
SERIES 6900



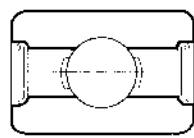
A&L Bearing Number	Bore d		Outer Diameter D		Width W		Radius r		Basic Load Rating lbs.		Weight lbs.
	mm	Inch	mm	Inch	mm	Inch	mm	Inch	Dynamic C	Static C ₀	
6900	10	.3937	22	.8661	6	.2362	0.5	.020	605	285	.020
6901	12	.4724	24	.9449	6	.2362	0.5	.020	650	330	.024
6902	15	.5906	28	1.1024	7	.2756	0.5	.020	920	460	.035
6903	17	.6693	30	1.1811	7	.2756	0.5	.020	1050	580	.040
6904	20	.7874	37	1.4567	9	.3543	0.5	.020	1430	825	.079
6905	25	.9843	42	1.6535	9	.3543	0.5	.020	1580	1020	.093
6906	30	1.1811	47	1.8504	9	.3543	0.5	.020	1630	1130	.106
6907	35	1.3780	55	2.1654	10	.3937	1	.039	2510	1670	.163
6908	40	1.5748	62	2.4409	12	.4724	1	.039	3250	2300	.243
6909	45	1.7717	68	2.6772	12	.4724	1	.039	3400	2530	.282
6910	50	1.9685	72	2.8346	12	.4724	1	.039	3500	2750	.291
6911	55	2.1654	80	3.1496	13	.5118	1.5	.059	3600	2980	.397
6912	60	2.3622	85	3.3465	13	.5118	1.5	.059	3700	3200	.425
6913	65	2.5591	90	3.5433	13	.5118	1.5	.059	3900	3600	.454
6914	70	2.7559	100	3.9370	16	.6299	1.5	.059	5350	4750	.736
6915	75	2.9528	105	4.1339	16	.6299	1.5	.059	5500	5100	.778

Single Row Radial Ball Bearings

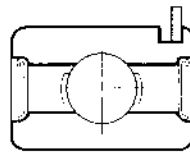
CARTRIDGE TYPE SERIES W200, W300



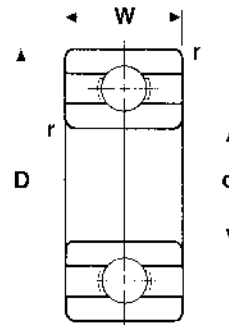
ZZ



-2RS



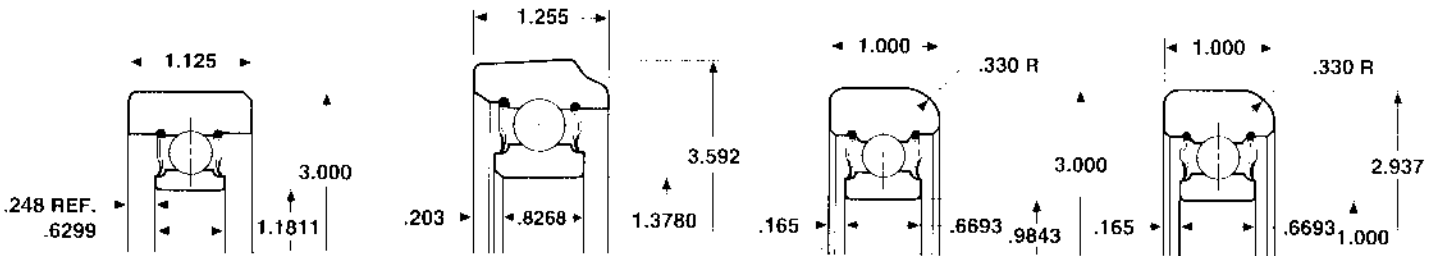
-2RSNR



OPEN

A&L Bearing Number	Bore d		Outer Diameter D		Width W			Radius r		Basic Load Rating lbs.		Weight lbs.
	mm	Inch	mm	Inch	mm	Fraction	Inch	mm	Inch	Dynamic C	Static C ₀	
W200	10	0.3937	30	1.1811	14.3	9/16	0.5625	1.0	.039	1150	540	0.10
W201	12	0.4724	32	1.2598	15.9	5/8	0.6250	1.0	.039	1370	615	0.12
W202	15	0.5906	35	1.3780	15.9	5/8	0.6250	1.0	.039	1740	805	0.14
W203	17	0.6693	40	1.5748	17.5	11/16	0.6890	1.0	.039	2160	1030	0.20
W204	20	0.7874	47	1.8504	20.6	13/16	0.8110	1.5	.059	2870	1500	0.34
W205	25	0.9843	52	2.0472	20.6	13/16	0.8110	1.5	.059	3150	1770	0.39
W206	30	1.1811	62	2.4409	23.8	15/16	0.9370	1.5	.059	4400	2540	0.63
W207	35	1.3780	72	2.8346	27.0	1-1/16	1.0630	2.0	.079	5750	3450	0.96
W208	40	1.5748	80	3.1496	30.2	1-3/16	1.1890	2.0	.079	6550	4000	1.28
W209	45	1.7717	85	3.3465	30.2	1-3/16	1.1890	2.0	.079	7350	4600	1.37
W210	50	1.9687	90	3.5433	30.2	1-3/16	1.1890	2.0	.079	7900	5200	1.45
W302	15	0.5906	42	1.6535	19.0	3/4	0.7500	1.5	.059	2160	1280	0.34
W303	17	0.6693	47	1.8504	22.2	7/8	0.8750	1.5	.059	2545	1430	0.42
W304	20	0.7874	52	2.0472	22.2	7/8	0.8750	2.0	.079	3600	1770	0.48
W305	25	0.9843	62	2.4409	25.4	1	1.0000	2.0	.079	4750	2460	0.78
W306	30	1.1811	72	2.8346	30.2	1-3/16	1.1890	2.5	.098	6000	3400	1.13
W307	35	1.3780	80	3.1496	34.9	1-3/8	1.3740	2.5	.098	7500	4300	1.64
W308	40	1.5748	90	3.5433	36.5	1-7/16	1.4370	2.5	.098	9150	5400	2.06
W309	45	1.7717	100	3.9370	39.7	1-9/16	1.5630	2.5	.098	11900	7200	3.00
W310	50	1.9687	110	4.3307	44.4	1-3/4	1.7480	3.0	.118	13900	8600	3.75

Mast Guide Bearings

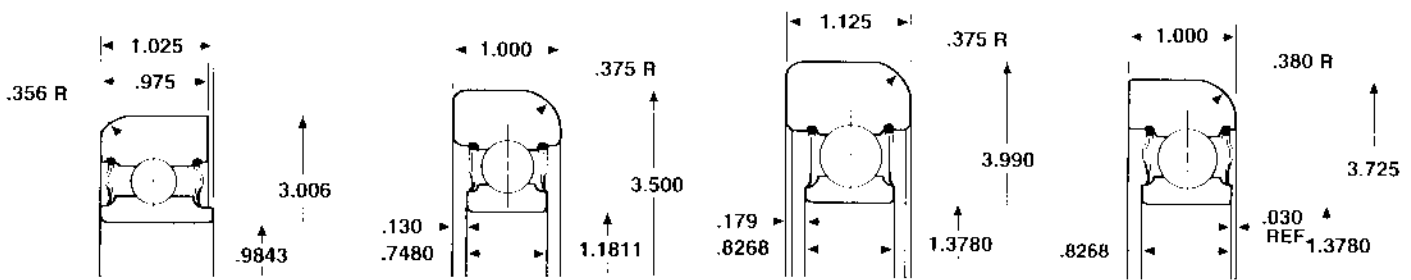


MG206-2RS-10

MG208-2RS-10

MG305-2RS-10

MG305-2RS-20



MG305-2RS-30

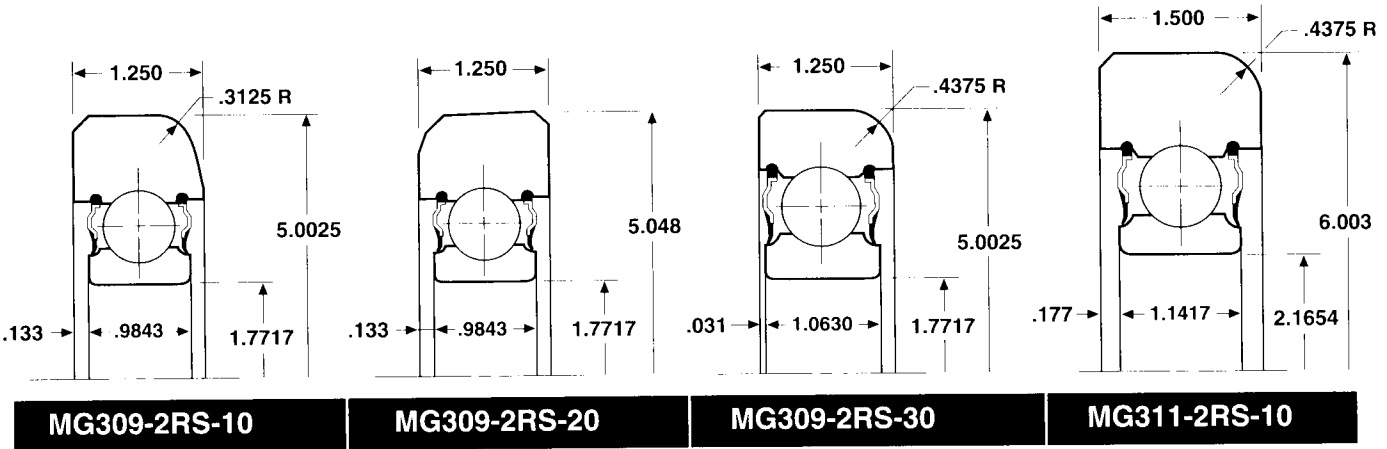
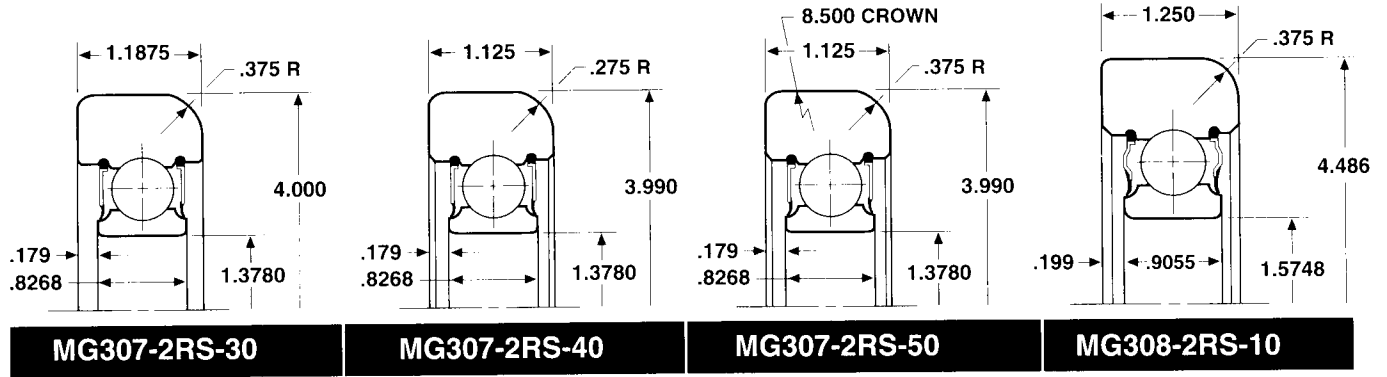
MG306-2RS-10

MG307-2RS-10

MG307-2RS-20

A&L Bearing No.	MRC Interchange	Hoover / NSK Interchange	BCA Interchange	McGill Interchange
MG206-2RS-1 MG208-2RS-1 MG305-2RS-1 MG305-2RS-2	206SZZ-16 208SZZ-15 305SZZ-3 305SZZ-6	X421	MG207FFH MG305DD MG305DDA	BB1705 BB849
MG305-2RS-3 MG306-2RS-1 MG307-2RS-1 MG307-2RS-2	305SZZ-7 306SZZ-5 307SZZ-10 307SZZ-9	X555 X376RS X549RS	MG306DD MG307FF MG307FFK	BB1886 BB2005-2

Mast Guide Bearings



A&L Bearing No.	MRC Interchange	Hoover / NSK Interchange	BCA Interchange	McGill Interchange
MG307-2RS-3	307SZZ-4		MG307FFA	BB816
MG307-2RS-4	307SZZ-18			
MG307-2RS-5	307SZZ-14			
MG308-2RS-1	308SZZ-5		MG308FFA	BB1747
MG309-2RS-1	309SZZ-4	X501RS	MG309DDA	BB1652
MG309-2RS-2	309SZZ-1	X469		BB850
MG309-2RS-3	309SZZ-5			
MG311-2RS-1	311SZZ-1			BB16493

Engineering Information

RADIAL BALL BEARINGS

I. TOLERANCES

The standard manufacturing tolerance for IBI precision radial ball bearings is ABEC1, as shown in Table 3 below.

The definitions of bearing boundary dimensions and their tolerance limits, bearing runouts, and internal clearance are provided in AFBMA Standard #4, ANSI B3.4.

TABLE 1 — SYMBOLS APPLICABLE TO RADIAL BALL BEARING TOLERANCES

d	= Basic bore diameter	Ki	= Radial runout of an inner ring raceway
ds	= Single diameter of a bore	Ko	= Radial runout of an outer ring raceway
dms	= Single mean diameter of a bore	W	= Basic width of an individual inner ring and also of an individual outer ring when both rings have the same basic width
D	= Basic outer diameter	Ws	= Single width of an inner ring and also of an outer ring when both rings have the same basic width
Ds	= Single diameter of an outside surface		
Dms	= Single mean outer diameter		

TABLE 2 — ABEC1 TOLERANCE LIMITS FOR METRIC RADIAL BEARINGS

INNER RING										IN 0.0001"			
Basic Bore Diameter d				Bore (1) Allowable Deviations from d				Radial Runout	Width Allowable Deviations from W				
mm		Inch		dms		ds (2)		Ki Max.	Normal Single Bearings Ws		Modified (4) Single Bearings Ws		
Over	Incl.	Over	Incl.	Low	High	Low	High		High	Low	High	Low	
2.5	10	0.0984	0.3937	-3	+0	-4	+1	3	+0	-50	+0	-100	
10	18	0.3937	0.7087	-3	+0	-4	+1	4	+0	-50	+0	-100	
18	30	0.7087	1.1811	-4	+0	-5	+1	5	+0	-50	+0	-100	
30	50	1.1811	1.9685	-5	+0	-6	+1	6	+0	-50	+0	-100	
50	80	1.9685	3.1496	-6	+0	-8	+2	8	+0	-60	+0	-150	
80	120	3.1496	4.7244	-8	+0	-10	+2	10	+0	-80	+0	-150	
120	180	4.7244	7.0866	-10	+0	-12	+3	12	+0	-100	+0	-200	
180	250	7.0866	9.8425	-12	+0	-15	+3	16	+0	-120	+0	-200	

OUTER RING										IN 0.0001"	
Basic Outside Diameter				Outside Diameter Allowable Deviations from D						Radial Runout	Width Limits
mm		Inch		All Bearings Dms		Open Bearings Ds (3)		Bearings with Shields or Seals Ds (3)		Ko Max.	Identical to those of inner ring of same bearing
Over	Incl.	Over	Incl.	High	Low	High	Low	High	Low		
6	18	0.2362	0.7087	+0	-3	+1	-4	+2	-5	6	
18	30	0.7087	1.1811	+0	-4	+1	-5	+2	-6	6	
30	50	1.1811	1.9685	+0	-5	+2	-7	+3	-8	8	
50	80	1.9685	3.1496	+0	-5	+2	-7	+4	-9	10	
80	120	3.1496	4.7244	+0	-6	+2	-8	+5	-11	14	
120	150	4.7244	5.9055	+0	-8	+2	-10	+5	-13	16	
150	180	5.9055	7.0866	+0	-10	+3	-13	+6	-16	18	
180	250	7.0866	9.8425	+0	-12	+3	-15	+8	-20	20	

(1) Bore tolerance limits do not apply to inner rings with tapered bores
 (2) ds applies only to bearings of metric diameter series 0, 2, 3, and 4
 In diameter series 9 up to and including d = 40 mm
 In diameter series 2 up to and including D = 180 mm
 For larger sizes in series 0 & 2 and all sizes of series 1, 8 & 9 ds is not restricted.

(3) Ds applies only to bearings of metric diameter series 0, 2, 3, and 4
 (prior to insertion of internal snap rings)
 In diameter series 0 up to and including D = 80 mm
 In diameter series 2 up to and including D = 315 mm
 For larger sizes in series 0 & 2 and all sizes of series 1, 8 & 9 Ds is not restricted.
 (4) Refers to a ball bearing on which one or both sides are so modified that
 two or more bearings can be mounted side by side as a unit.

II. MATERIALS

RINGS & BALLS A&L uses SAE-52100 vacuum degassed, high carbon, chromium bearing steel as its standard material for precision bearing rings and balls.

RETAINERS - A&L standard bearing retainers are made from cold rolled carbon steel.

SEALS & SHIELDS A&L shields also employ carbon steel as standard. A&L uses a variety of sealing materials to meet the requirements of high temperature operation and compatibility with greases. Buna-Nitrile is the standard material used.

LUBRICANTS - A&L standard greases are supplied with shielded or sealed bearings as standard. IBI uses Alvania #3 or equivalent in all wide inner ring bearings. SRI #2 or equivalent is used in all radial bearings.

Table 3 shows the available radial internal clearances for A&L precision radial ball bearings. For high temperature application C3 or C4 fit can be employed, or for ture running at low RPM and low temperature A&L bearings can be manufactured to C2 fit.

TABLE 3 — RADIAL INTERNAL CLEARANCES

IN 0.0001"

Bore Diameter d				C2		C0		C3		C4	
mm		Inch		Less than Normal Clearance		Normal Clearance		Greater than Normal Clearance		Greater than C3 Clearance	
Over	Inc.	Over	Inc.	Low	High	Low	High	Low	High	Low	High
	2.5		0.0984	—	2.4	1.6	4.3	3.9	7.9	—	—
2.5	10	0.0984	0.3937	—	2.8	0.8	5.1	3.1	9.1	—	—
10	18	0.3937	0.7087	—	3.5	1.2	7.1	4.3	9.8	7.1	13.0
18	24	0.7087	0.9449	—	3.9	2.0	7.9	5.1	11.0	7.9	14.2
24	30	0.9449	1.1811	—	4.3	2.0	7.9	5.1	11.0	9.1	16.1
30	40	1.1811	1.5748	—	4.3	2.4	7.9	5.9	13.0	11.0	18.1
40	50	1.5748	1.9685	—	4.3	2.4	9.1	7.1	14.2	11.8	20.1
50	65	1.9685	2.5591	—	5.9	3.1	11.0	9.1	16.9	15.0	24.0
65	80	2.5591	3.1496	—	5.9	3.9	11.8	9.8	20.1	18.1	28.0
80	100	3.1496	3.9370	—	7.1	4.7	14.2	11.8	22.8	20.9	33.1
100	120	3.9370	4.7244	—	7.9	5.9	16.1	14.2	26.0	24.0	38.2
120	140	4.7244	5.5118	—	9.1	7.1	18.9	16.1	31.9	28.0	44.9
140	160	5.5118	6.2993	—	9.1	7.1	20.9	18.1	35.8	31.9	51.2
160	180	6.2992	7.0866	—	9.8	7.9	24.0	20.9	40.2	35.8	57.9
180	200	7.0866	7.8740	—	11.8	9.8	28.0	24.8	46.1	42.1	64.2

Mounted Units Numbering System

A&L bearing numbering system utilizes a basic bearing number to indicate the appropriate bearing series, and a complementary set of prefix and suffix designations which allow a complete description of any bearing configuration. The sequence of A&L designations and their meanings is shown below.

Bearing Material	Bearing O.D. Modification	Bearing Insert Type	Housing Type	Basic Bearing Series	Housing Material	Shaft Size in 1/16" for Inch Type Bearings	Special Seals	Relube Type When Non-standard	Snap Ring	Internal Clearance
		UC	P	210	D	-31	R3			
S	C	SB		205		-16		G	NR	C3

EXAMPLES

HC P 205 - 16

- Bearing Insert Type _____
 Housing Type _____
 Basic Bearing Series _____
 Bearing Shaft Size in 1/16 inch _____

C HC 205 - 16

- Cylindrical OD _____
 Bearing Insert Type _____
 Basic Bearing Series _____
 Bearing Shaft Size in 1/16 inch _____

C SA 205 - 16 G

- Cylindrical O.D. _____
 Basic Insert Type _____
 Basic Bearing Series _____
 Bearing Shaft Size in 1/16 inch _____
 Relubrication Groove & Holes _____

PREFIXES

Blank 52100 Chrome Steel Bearing
 C Cylindrical O.D. on Bearing
 S 440C Stainless Steel Bearing

SUFFIXES

HOUSING MATERIAL

Blank G3000 Grade Cast Iron for Cast Housings
 Blank Low Carbon Steel for Stamped Housings
 D Ductile Iron for Cast Housings

SPECIAL SEALS

P P Type Seal
 R3 R3 Type Seal
 Z Z Type Seal, Shield

RELUBRICATION

Blank Relube feature is standard for UC, HC, UCX, SER, Type inserts and units; SB, SA Units except for BLP, ALP, BLF, ALF
 G SB, SA inserts and BLP, ALP, BLF, ALF Units are Relubricatable

SNAP RING

N Groove without Ring
 NR Groove with Ring

INTERNAL CLEARANCE*

Blank Standard, C0 Fit
 C2 Tight
 C3 Loose
 C4 Extra Loose

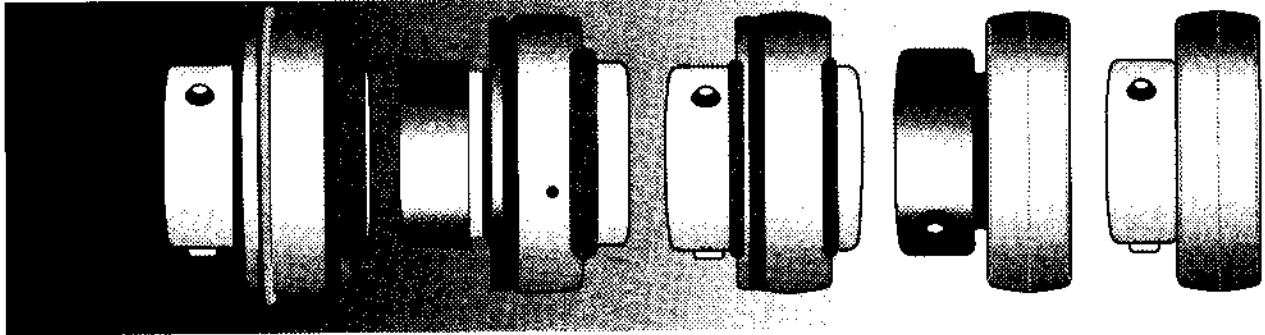
*See Chart on page 15

NOTES:

- UC, HC, and SER type inserts are relubricatable as standard; no "G" suffix is required.
- SB and SA type inserts are non-relubricatable as standard. To specify as relubricatable type, add "G" suffix.
- As there is only one metric bore size per basic bearing series, no shaft size specification is necessary, e.g. UC205 indicates 25 mm bore.

Bearing Unit Components

BASIC INSERT TYPES



SER

HC

UC

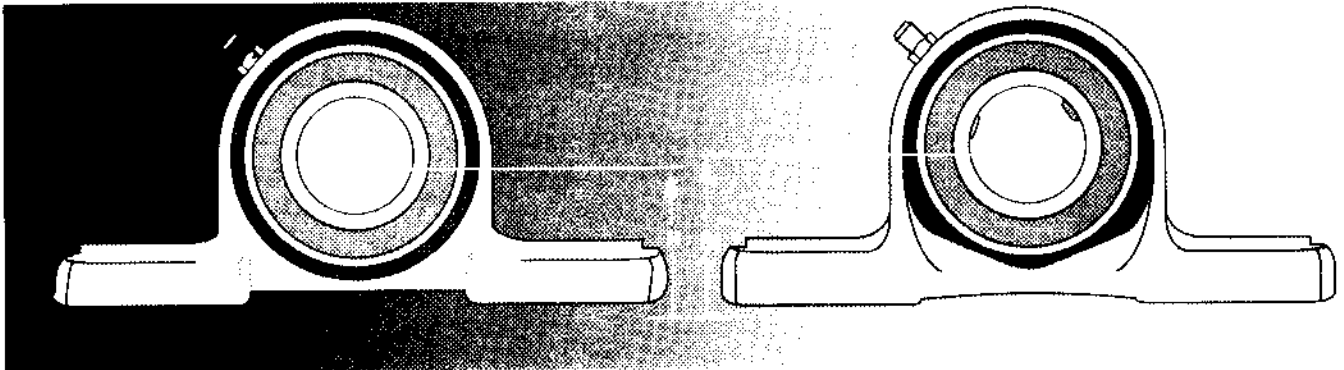
SA

SB

Snap Ring Included

For Inserts with Cylindrical O.D., Add "C" Prefix, (e.g., CSB204-12) Relubricatable inserts supplied with universal type lubrication feature. (e.g., will fit housings grooved on either side).

BASIC PILLOW BLOCK TYPES

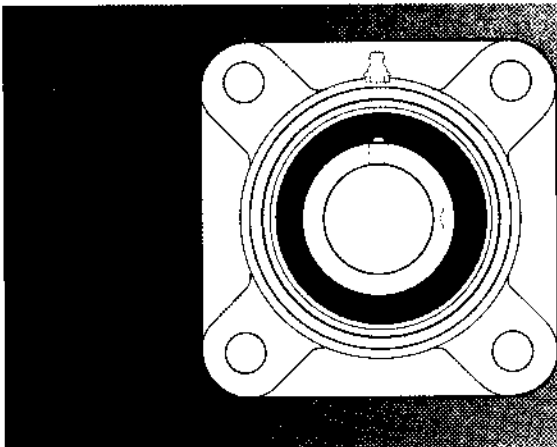


AK (Low Center Height)

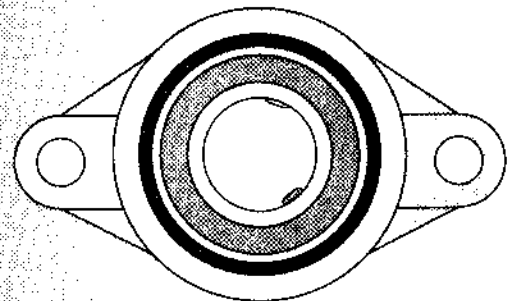
Feature - Solid Base Housing

P (High Center Height)

Feature - Solid Base Housing



FS or F



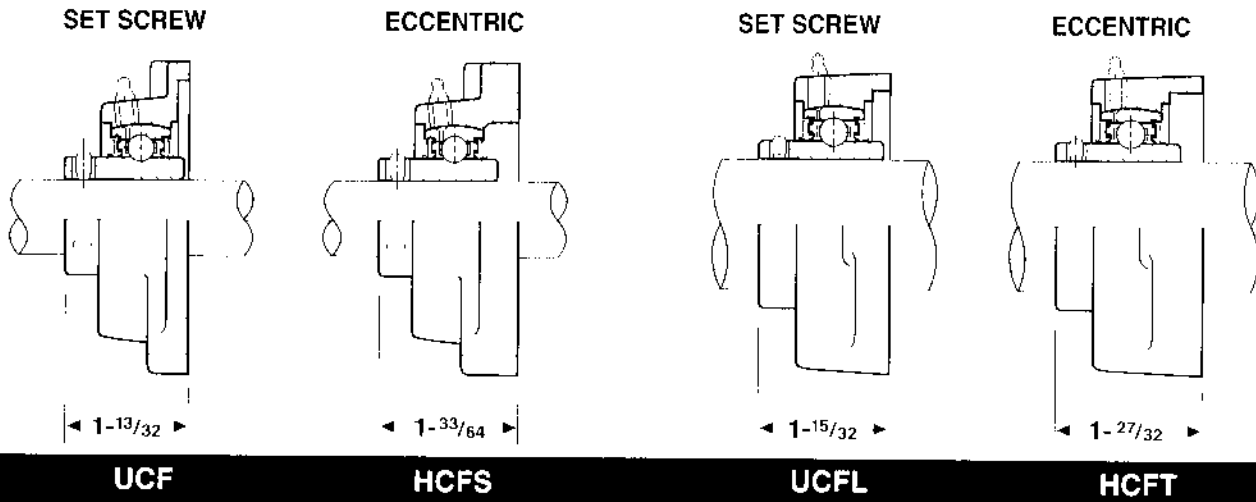
FT or FL

Flanged Units

FLANGED HOUSINGS

A&L offers two types of both the standard size two-bolt and standard size four-bolt flange units.

The FS type casting, four-bolt is wider than the F type casting. The FT type casting, two-bolt, is a wider width than the FL type casting. The drawings below are representative of the width differences.



HC type inserts can only be used with FT and FS flange housings due to the greater width of the inner ring (dimension S). HC type inserts will not allow a flush mounting of the assembled unit using the FL or F type housings. SA and SB type inserts use F and FL Housings.

BOLT HOLE SIZES

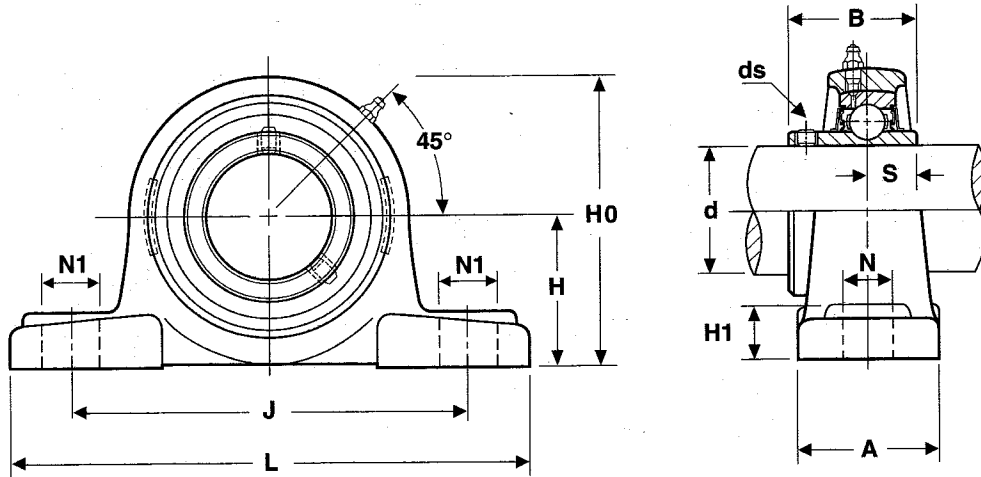
The diameter of the bolt hole (dimension N) varies between the FL and FT-type two bolt housings and the FS and F-type four-bolt housings, refer to the individual drawings and dimensions for the exact specifications.

LF and PFTD type two-bolt flange units are for use with SB and SA type inserts only, and have the following characteristics:

Type	Material	Bolt Configuration	Standard Relubrication
LF	Grey Iron	Round Hole	Relube
PFTD	Ductile Iron	Square Hole	Relube

UCP Pillow Block Cast Housing

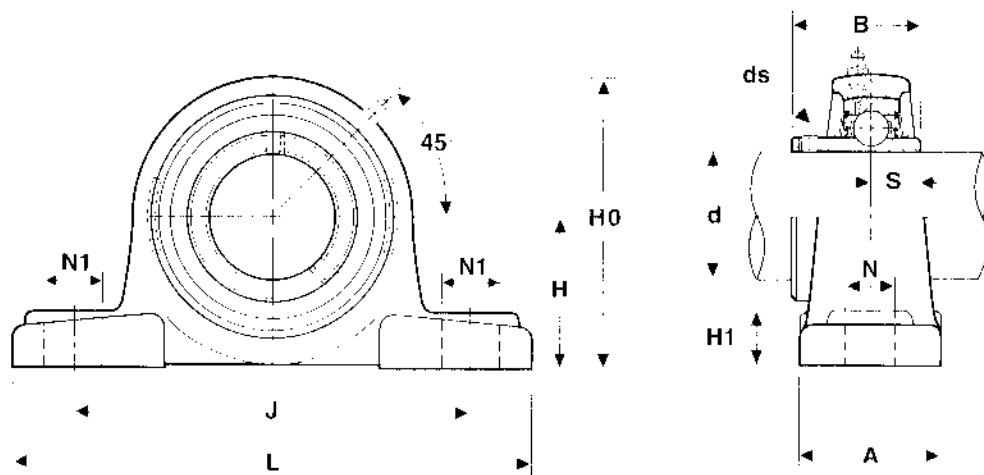
HIGH CENTER HEIGHT – SET SCREW TYPE



A&L Unit Number	Shaft Dia. d	DIMENSIONS										Set Screw ds UNF	Bolt Used	Bearing Number	Housing No.	Weight	
		H	L	J	A	N	N1	H1	HO	S	B					kg	lbs
UCP201-08 UCP202-10 UCP203-17 UCP204-12 UCP204	1/2 5/8 17mm 3/4 20mm	33.3 1.3110	127 5.0000	96 3.7795	37 1.4567	13 0.5118	16 0.6299	14 0.5512	63.8 2.5118	12.7 0.5000	31 1.2205	1/4-28	3/8	UC201-08 UC202-10 UC203-17 UC204-12 UC204	P204	0.70	1.54
UCP205-14 UCP205-15 UCP205-16 UCP205	7/8 15/16 1 25mm	36.5 1.4370	140 5.5118	105 4.1339	38 1.4961	13 0.5118	19 0.7480	15 0.5906	69.5 2.7362	14.3 0.5630	34 1.3386	1/4-28	3/8	UC205-14 UC205-15 UC205-16 UC205	P205	0.75	1.65
UCP206-18 UCP206-19 UCP206-20 UCP206	1-1/8 1-3/16 1-1/4 30mm	42.9 1.6890	165 6.5000	121 4.7638	44 1.7323	17 0.669	21 0.826	16 0.6299	82 3.2283	15.9 0.6260	38.1 1.5000	1/4-28	1/2	UC206-18 UC206-19 UC206-20 UC206	P206	1.30	2.86
UCP207-20 UCP207-21 UCP207-22 UCP207-23 UCP207	1-1/4 1-5/16 1-3/8 1-7/16 35mm	47.6 1.8740	167 6.5748	126 4.9606	48 1.8898	17 0.669	21 0.826	17 0.6693	92 3.6220	17.5 0.6890	42.9 1.6890	5/16-24	1/2	UC207-20 UC207-21 UC207-22 UC207-23 UC207	P207	1.60	3.52
UCP208-24 UCP208	1-1/2 40mm	49.2 1.9370	184 7.2500	136 5.3543	52 2.0472	17 0.669	21 0.8268	18 0.7087	98 3.8583	19 0.7480	49.2 1.9370	5/16-24	1/2	UC208-24 UC208	P208	1.90	4.18
UCP209-26 UCP209-27 UCP209-28 UCP209	1-5/8 1-11/16 1-3/4 45mm	54 2.1260	190 7.4690	146 5.7480	54 2.1260	17 0.669	21 0.8268	20 0.7874	105.5 4.1535	19 0.7480	49.2 1.9370	5/16-24	1/2	UC209-26 UC209-27 UC209-28 UC209	P209	2.30	5.06
UCP210-30 UCP210-31 UCP210-32 UCP210	1-7/8 1-15/16 2 50mm	57.2 2.2520	206 8.1250	159 6.2598	57 2.2441	20 0.7810	22 0.8661	21 0.8268	112.2 4.4173	19 0.7480	51.6 2.0315	3/8-24	5/8	UC210-30 UC210-31 UC210-32 UC210	P210	2.60	5.72
UCP211-32 UCP211-34 UCP211-35 UCP211	2 2-1/8 2-3/16 55mm	63.5 2.5000	219 8.6250	172 6.7717	60 2.3622	20 0.7810	22 0.8661	22 0.8661	124.5 4.9016	22.2 0.8740	55.6 2.1890	3/8-24	5/8	UC211-32 UC211-34 UC211-35 UC211	P211	3.30	7.26
UCP212-36 UCP212-38 UCP212-39 UCP212	2-1/4 2-3/8 2-7/16 60mm	69.9 2.7520	241 9.5000	186 7.3228	66 2.5984	20 0.7810	25 0.9843	24 0.9449	137 5.3937	25.4 1.0000	65.1 2.5630	3/8-24	5/8	UC212-36 UC212-38 UC212-39 UC212	P212	4.60	10.12
UCP213-40 UCP213	2-1/2 65mm	76.2 3.0000	265 10.4370	203 7.9921	70 2.7559	25 1.000	30 1.1880	26 1.0236	149 5.8661	25.4 1.0000	65.1 2.5630	7/16-20	3/4	UC213-40 UC213	P213	5.90	12.98
UCP214-44 UCP214	2-3/4 70mm	79.4 3.1260	266 10.4724	210 8.2677	72 2.8346	25 1.000	30 1.1880	27 1.0630	155 6.1024	30.2 1.1890	74.6 2.9370	7/16-20	3/4	UC214-44 UC214	P214	6.90	15.18
UCP215-47 UCP215-48 UCP215	2-15/16 3 75mm	82.6 3.2520	275 10.8125	217 8.5433	74 2.9134	25 1.000	30 1.1880	28 1.1024	161.6 6.3622	33.3 1.3110	77.8 3.0630	7/16-20	3/4	UC215-47 UC215-48 UC215	P215	7.30	16.06

UCAK Pillow Block Cast Housing

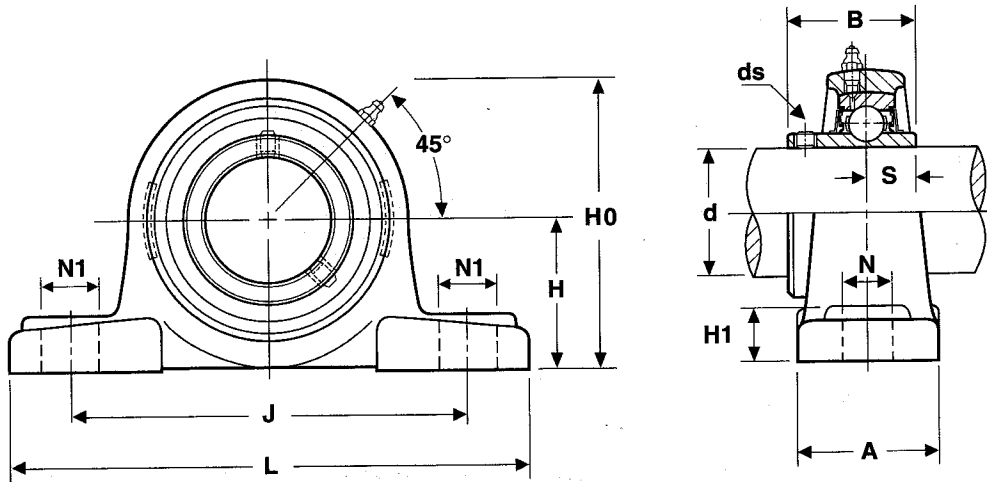
LOW CENTER HEIGHT – SET SCREW TYPE



A&L Unit Number	Shaft Dia. d	DIMENSIONS										Set Screw ds UNF	Bolt Used	Bearing Number	Housing No.	Weight		
		H	L	J	A	N	N1	H1	H0	S	B					kg	lbs	
UCAK201-08	1/2																	
UCAK202-10	5/8	31.8	133	96	38	11	14	14	63	12.7	31	1/4-28	3/8	UC201-08 UC202-10				
UCAK203	17mm	1.2520	5.2500	3.7795	1.4961	0.4331	0.5512	0.5512	2.4803	0.5000	1.2205			UC203				
UCAK204-12	3/4													UC204-12 UC204	AK204	0.74	1.63	
UCAK205-14	7/8													UC205-14				
UCAK205-15	15/16	33.3	140	105	40	11	14	15	66.5	14.3	34	1/4-28	3/8	UC205-15 UC205-16	AK205	0.75	1.65	
UCAK205-16	1	1.3110	5.5118	4.1339	1.5748	0.4331	0.5512	0.5906	2.6181	0.5630	1.3386			UC205				
UCAK206-18	1-1/8													UC206-18				
UCAK206-19	1-3/16	39.7	160	121	44	14	19	17	79	15.9	38.1	1/4-28	1/2	UC206-19 UC206-20	AK206	1.30	2.86	
UCAK206-20	1-1/4	1.5630	6.2992	4.7638	1.7323	0.5512	0.7480	0.6693	3.1102	0.6263	1.5000			UC206				
UCAK207-20	1-1/4													UC207-20				
UCAK207-21	1-5/16	46	167	127	48	14	19	18	91	17.5	42.9	5/16-24	1/2	UC207-21 UC207-22	AK207	1.61	3.54	
UCAK207-22	1-3/8	1.8110	6.5748	5.0000	1.8898	0.5512	0.7480	0.7087	3.5827	3.6890	1.6890			UC207-22 UC207-23				
UCAK207-23	1-7/16													UC207				
UCAK207	35mm																	
UCAK208-24	1-1/2	49.2	181	140	52	14	19	19	98	19	48.2	5/16-24	1/2	UC208-24 UC208	AK208	1.92	4.22	
UCAK208	40mm	1.9370	7.1260	5.5118	2.0472	0.5512	0.7480	0.7480	3.8583	0.7480	1.8976							
UCAK209-26	1-5/8													UC209-26				
UCAK209-27	1-11/16	52.4	191	146	54	14	19	20	105	19	49.2	5/16-24	1/2	UC209-27 UC209-28	AK209	2.31	5.08	
UCAK209-28	1-3/4	2.0630	7.5190	5.7480	2.1260	0.5512	0.7480	0.7874	4.1339	0.7480	1.9370			UC209				
UCAK209	45mm																	
UCAK210-30	1-7/8													UC210-30				
UCAK210-31	1-15/16	55.6	203	159	57	14	19	21	111.5	19	51.5	3/8-24	5/8	UC210-31 UC210-32	AK210	2.62	5.76	
UCAK210-32	2	2.1890	8.0000	6.2598	2.2441	0.5630	0.7480	0.8268	4.3898	0.7480	2.0276			UC210				
UCAK210	50mm																	
UCAK211-32	2													UC211-32				
UCAK211-34	2-1/8	61.9	232	181	60	18	24	23	123	22.2	55.6	3/8-24	5/8	UC211-34 UC211-35	AK211	3.31	7.28	
UCAK211-35	2-3/16	2.4370	9.1339	7.1260	2.3622	0.7087	0.9449	0.9055	4.8425	0.8740	2.1890			UC211				
UCAK211	55mm																	
UCAK212-36	2-1/4													UC212-36				
UCAK212-38	2-3/8	68.3	241	191	64	18	24	25	136	25.4	65.1	3/8-24	5/8	UC212-38 UC212-39	AK212	4.62	10.16	
UCAK212-39	2-7/16	2.6890	9.4882	7.5197	2.5197	0.7087	0.9449	0.9843	5.3543	1.0000	2.5630			UC212				
UCAK212	60mm																	
UCAK213-40	2-1/2	68.3	248	194	70	18	29	27	141	25.4	65.1	3/8-24	5/8	UC213-40 UC213	AK213	5.91	13.00	
UCAK213	65mm	2.6890	9.7638	7.6378	2.7559	0.7087	1.1417	1.0630	5.5512	1.0000	2.5630							
UCAK214-44	2-3/4	82.6	294	232	72	20	32	29	160	30.2	74.6	7/16-20	3/4	UC214-44 UC214	AK214	6.62	14.56	
UCAK214	70mm	3.2520	11.5748	9.1339	2.8346	0.7874	1.2598	1.1417	6.2992	1.1890	2.9370							
UCAK215-47	2-15/16	84.1	304	241	74	22	32	32	165	33.3	77.8	7/16-20	3/4	UC215-47 UC215-48	AK215	7.31	16.08	
UCAK215-48	3	3.3110	11.9685	9.4882	2.9134	0.8661	1.2598	1.2598	6.4961	1.3110	3.0630			UC215				
UCAK215	75mm																	

UCPX Pillow Block Cast Housing

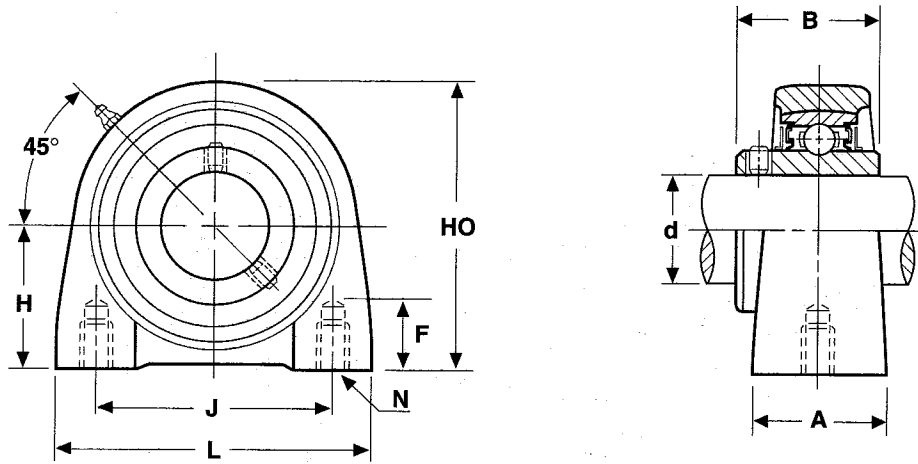
MEDIUM DUTY – SET SCREW TYPE



A&L Unit Number	Shaft Dia. d	DIMENSIONS											mm	in	Bearing Number	Housing No.	Weight lbf
		H	L	J	A	N	N1	H1	HO	S	B						
UCPX05-14	7/8														UCX05-14	PX05	3.3
UCPX05-15	15/16	44.4	159	119	51	17	20	18	85	15.9	38.1	14	1/2	UCX05-15			
UCPX05	25mm	1.7480	6.2598	4.6850	2.0079	0.6693	0.7874	0.7087	3.3465	0.6260	1.5000			UCX05			
UCPX05-16	1													UCX05-16			
UCPX06-18	1-1/8													UCX06-18	PX06	4.4	
UCPX06-19	1-3/16	47.6	175	127	54	17	20	20	94	17.5	42.9	14	1/2	UCX06-19			
UCPX06-20	1-1/4	1.8740	6.8898	5.0000	2.1260	0.6693	0.7874	0.7874	3.7008	0.6890	1.6890			UCX06-20			
UCPX06	30mm													UCX06			
UCPX07-22	1-3/8	54	203	144	57	17	20	21	105	19	49.2	14	1/2	UCX07-22	PX07	5.7	
UCPX07	35mm	2.1260	7.9921	5.6693	2.2441	0.6693	0.7874	0.8268	4.1339	0.7480	1.9370			UCX07			
UCPX07-23	1-7/16													UCX07-23			
UCPX08-24	1-1/2	58.7	220	156	65	20	23	23	113.2	19	49.2	16	5/8	UCX08-24	PX08	6.8	
UCPX08	40mm	2.3110	8.6614	6.1417	2.5591	0.7874	0.9055	0.9055	4.4567	0.7480	1.9370			UCX08			
UCPX09-26	1-5/8													UCX09-26	PX09	7.3	
UCPX09-27	1-11/16	58.7	222	156	67	20	23	25	116	19	51.6	16	5/8	UCX09-27			
UCPX09-28	1-3/4	2.3110	8.7402	6.1417	2.6378	0.7874	0.9055	0.9843	4.5669	0.7480	2.0315			UCX09-28			
UCPX09	45mm													UCX09			
UCPX10-30	1-7/8													UCX10-30	PX10	9.5	
UCPX10-31	1-15/16	63.5	241	171	73	20	23	27	126	22.2	55.6	16	5/8	UCX10-31			
UCPX10	50mm	2.5000	9.4882	6.7323	2.8740	0.7874	0.9055	1.0630	4.9606	0.8740	2.1890			UCX10			
UCPX10-32	2													UCX10-32			
UCPX11-34	2-1/8													UCX11-34	PX11	13	
UCPX11	55mm	69.8	260	184	79	25	28	29	137	25.4	65.1	20	3/4	UCX11			
UCPX11-35	2-3/16	2.7480	10.2362	7.2441	3.1102	0.9843	1.1024	1.1417	5.3937	1.0000	2.5630			UCX11-35			
UCPX11-36	2-1/4													UCX11-36			
UCPX12	60mm	76.2	280	203	81	25	28	31	151	25.4	65.1	20	3/4	UCX12	PX12	16	
UCPX12-38	2-3/8	3.0000	11.0236	7.9921	3.1890	0.9843	1.1024	1.2205	5.9449	1.0000	2.5630			UCX12-38			
UCPX12-39	2-7/16													UCX12-39			
UCPX13-40	2-1/2	76.2	286	203	83	25	28	33	154	30.2	74.6	20	3/4	UCX13-40	PX13	17	
UCPX13	65mm	3.0000	11.2598	7.9921	3.2677	0.9843	1.1024	1.2992	6.0630	1.1890	2.9370			UCX13			
UCPX14-44	2-3/4	88.9	320	229	85	27	30	34	170	33.3	77.8	22	7/8	UCX14-44	PX14	22	
UCPX14	70mm	3.5000	12.5984	9.0157	3.3485	1.0630	1.1811	1.3386	6.8929	1.3110	3.0630			UCX14			
UCPX15	75mm	88.9	326	229	89	27	30	35	175	33.3	82.6	22	7/8	UCX15	PX15	23	
UCPX15-47	2-15/16	3.5000	12.8346	9.0157	3.5039	1.0630	1.1811	1.3780	6.8898	1.3110	3.2520			UCX15-47			
UCPX15-48	3													UCX15-48	PX16	33	
UCPX16	80mm	101.6	375	283	96	27	30	37	194	34.1	85.7	22	7/8	UCX16			
UCPX17-52	3-1/4	4.0000	14.7638	11.1417	3.7795	1.0630	1.1811	1.4567	7.6378	1.3425	3.3740	22	7/8	UCX17-52	PX17	35	
UCPX17	85mm	101.6	378	283	102	27	30	39	200	39.7	96			UCX17			
UCPX18-56	3-1/2	101.6	381	283	111	27	30	40	206	42.9	104	22	7/8	UCX18-56	PX18	37	
UCPX18	90mm	4.0000	15.0000	11.1417	4.3701	1.0630	1.1811	1.5748	8.1102	1.6890	4.0945			UCX18			
UCPX20	100mm	127	432	337	121	33	36	45	245	49.2	117.5	25.4	1	UCX20	PX20	66	
UCPX20-63	3-15/16	5.0000	17.0079	13.2677	4.7638	1.2992	1.4173	1.7717	9.6457	1.9370	4.6260			UCX20-63			
UCPX20-64	4													UCX20-64			

Tapped Base Pillow Block

SET SCREW TYPE

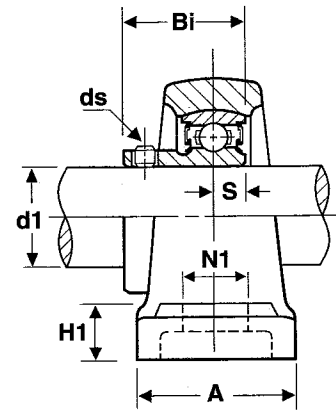
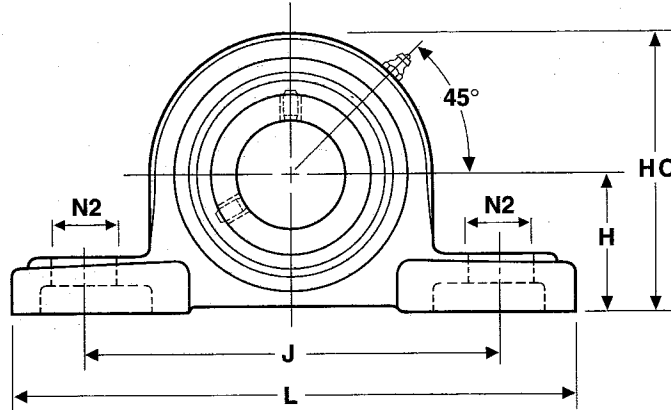
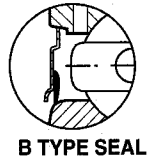


A&L Unit Number	Shaft Dia. d	DIMENSIONS								Bearing Number	Housing No.	Weight lbs	
		H	HO	J	L	A	N Tapped Holes	F	B mm/inch				
UCPA201-08	1/2										UC201-08	PA204GB	1.7
UCPA202-10	5/8	33.3	65.09	50.8	73.03	38.1	3/8-16NCX1/2	12.7	31	UC202-10			
UCPA203	17mm.									UC204-12			
UCPA204-12	3/4	1.3125	2.5625	2.0000	2.8750	1.5000		0.5000	1.2205	UC204			
UCPA204	20mm												
UCPA205-14	7/8										UC205-14	PA205GB	1.8
UCPA205-15	15/16	36.5125	71.4375	50.8	76.2	38.1	3/8-16NCX1/2	12.7	34	UC205-15			
UCPA205-16	1	1.4375	2.8125	2.0000	3.0000	1.5000		0.5000	1.3386	UC205-16			
UCPA205	25mm									UC205			
UCPA206-18	1-1/8										UC206-18	PA206GB	2.6
UCPA206-19	1-3/16	42.8625	85.725	76.2	101.6	38.1	7/16-14NCX5/8	15.875	38.1	UC206-19			
UCPA206-20	1-1/4	1.6875	3.3750	3.0000	4.0000	1.5000		0.6250	1.5000	UC206-20			
UCPA206	30mm									UC206			
UCPA207-20	1-1/4										UC207-20	PA207GB	3.6
UCPA207-21	1-5/16	47.625	95.25	82.55	107.95	47.625	1/2-13NCX3/4	19.05	42.9	UC207-21			
UCPA207-22	1-3/8	1.8750	3.7500	3.2500	4.2500	1.8750		0.7500	1.6890	UC207-22			
UCPA207-23	1-7/16									UC207-23			
UCPA207	35mm									UC207			
UCPA208-24	1-1/2	49.2125	100.0125	88.9	117.475	47.625	1/2-13NCX3/4	19.05	49.2	UC208-24	PA208GB	4.6	
UCPA208	40mm	1.9375	3.9375	3.5000	4.6250	1.8750		0.7500	1.9370	UC208			
UCPA209-26	1-5/8										UC209-26	PA209GB	5.4
UCPA209-27	1-11/16	53.975	107.95	95.25	127	50.8	1/2-13NCX3/4	19.05	49.2	UC209-27			
UCPA209-28	1-3/4	2.1250	4.2500	3.7500	5.0000	2.0000		0.7500	1.9370	UC209-28			
UCPA209	45mm									UC209			
UCPA210-30	1-7/8										UC210-30	PA210GB	6.7
UCPA210-31	1-15/16	57.15	117.475	101.6	139.7	50.8	5/8X11NCX7/8	24.6	51.6	UC210-31			
UCPA210-32	2	2.2500	4.6250	4.0000	5.5000	2.0000		0.9685	2.0315	UC210-32			
UCPA210	50mm									UC210			

NOTE: Bolt Centers are made to domestic specifications.

SBP/SBAK Pillow Block Cast Housing

SET SCREW TYPE — NARROW INNER RING INSERTS



SBP200 SERIES - HIGH CENTER HEIGHT

A&L Unit Number	Shaft Dia. d	DIMENSIONS										Set Screw ds UNF	Bolt Used	Bearing Number	Housing No.	Weight		
		H	L	J	A	N1	N2	H1	H0	S	Bi					kg	lbs	
SBP201-8G	1/2														SB201-08	P203	0.5	1.1
SBP202-10G	5/8	30.2	124.5	96	37	13	16	14	60	12.7	22	10-32	3/8	SB202-10				
SBP203	17mm	1.189	4.90	3.78	1.457	0.5118	0.6290	0.5512	2.362	0.5000	0.8660			SB203				
SBP204-12G	3/4	33.3	127	96	37	13	16	14	63.8	7	25	10-32	3/8	SB204-12G	P204	0.63	1.39	
SBP204	20mm	1.3110	5.0000	3.7795	1.4567	0.5118	0.6299	0.5512	2.5118	0.2756	0.9843			SB204				
SBP205-14G	7/8													SB205-14G	P205	0.83	1.83	
SBP205-15G	15/16	36.5	140	105	38	13	19	15	69.5	7.5	27	1/4-28	7/16	SB205-15G				
SBP205-16G	1	1.4370	5.5118	4.1339	1.4961	0.5118	0.7480	0.5906	2.7362	0.2953	1.0630			SB205-16G				
SPB205	25mm													SB205				
SBP206-18G	1-1/8													SB206-18G	P206	1.34	2.95	
SBP206-19G	1-3/16	42.9	160	121	44	14	19	16	82	8	29	1/4-28	7/16	SB206-19G				
SBP206-20G	1-1/4	1.6890	6.2992	4.7638	1.7323	0.5512	0.7480	0.6299	3.2283	0.3150	1.1417			SB206-20G				
SBP206	30mm													SB206				
SBP207-20G	1-1/4													SB207-20G	P207	1.57	3.45	
SBP207-21G	1-5/16	47.6	167	126	48	15	19	17	92	9	32	5/16-24	1/2	SB207-21G				
SBP207-22G	1-3/8	1.8740	6.5748	4.9606	1.8898	0.5906	0.7480	0.6693	3.6220	0.3543	1.2598			SB207-22G				
SBP207-23G	1-7/16													SB207-23G				
SBP207	35mm													SB207				
SBP208-24G	1-1/2	49.2	180	136	52	15	21	18	98	9.5	34	5/16-24	1/2	SB208-24G	P208	2.04	4.49	
SBP208	40mm	1.9370	7.0866	5.3543	2.0472	0.5906	0.8268	0.7087	3.8583	0.3740	1.3386			SB208				

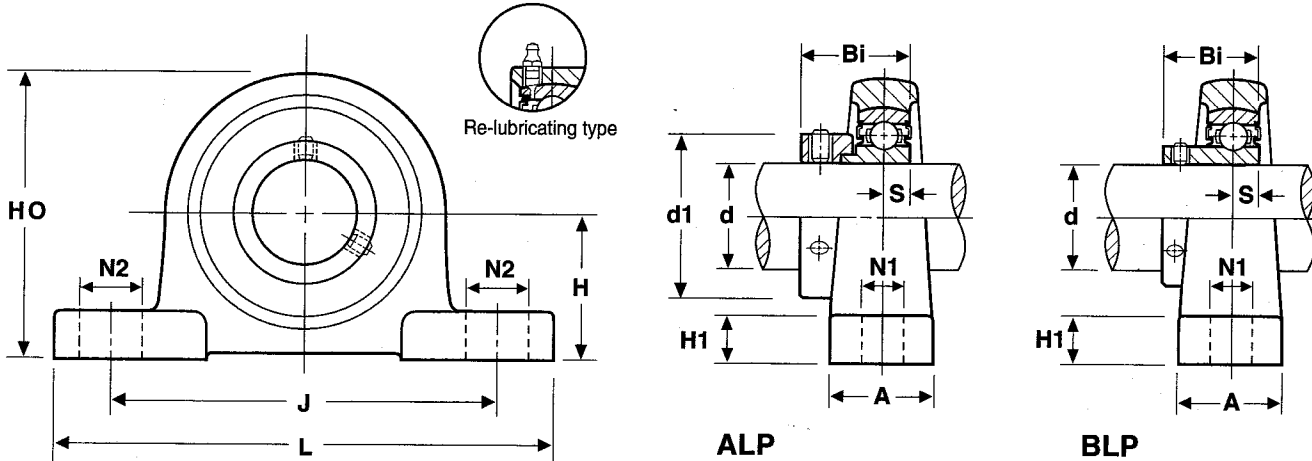
SBAK200 SERIES - LOW CENTER HEIGHT

A&L Unit Number	Shaft Dia. d	DIMENSIONS										Set Screw ds UNF	Bolt Used	Bearing Number	Housing No.	Weight	
		H	L	J	A	N1	N2	H1	H0	S	Bi					kg	lbs
SBAK204-12G	3/4	31.8	128	98	38	11	14	14	63	7	25	10-32	3/8	SB204-12G	AK204	0.82	1.80
SBAK204	20mm	1.2520	5.0394	3.8583	1.4961	0.4331	0.5512	0.5512	2.4803	0.2756	0.9843			SB204			
SBAK205-14G	7/8													SB205-14G	AK205	0.97	2.13
SBAK205-15G	15/16	33.3	140	105	40	11	14	15	66.5	7.5	27	1/4-28	7/16	SB205-15G			
SBAK205-16G	1	1.3110	5.5118	4.1339	1.5748	0.4331	0.5512	0.5906	2.6181	0.2953	1.0630			SB205-16G			
SBAK205	25mm													SB205			
SBAK206-18G	1-1/8													SB206-18G	AK206	1.33	2.93
SBAK206-19G	1-3/16	39.7	160	121	44	14	19	17	79	8	29	1/4-28	7/16	SB206-19G			
SBAK206-20G	1-1/4	1.5630	6.2992	4.7638	1.7323	0.5512	0.7480	0.6693	3.1102	0.3150	1.1417			SB206-20G			
SBAK206	30mm													SB206			
SBAK207-20G	1-1/4													SB207-20G	AK207	1.68	3.70
SBAK207-21G	1-5/16	46	167	127	48	14	19	18	91	9	32	5/16-24	1/2	SB207-21G			
SBAK207-22G	1-3/8	1.8110	6.5748	5.0000	1.8898	0.5512	0.7480	0.7087	3.5827	0.3543	1.2598			SB207-22G			
SBAK207-23G	1-7/16													SB207-23G			
SBAK207	35mm													SB207			
SBAK208-24G	1-1/2	49.2	181	140	52	14	19	19	98	9.5	34	5/16-24	1/2	SB208-24G	AK208	2.03	4.47
SBAK208	40mm	1.9370	7.1260	5.5118	2.0472	0.5512	0.7480	0.7480	3.8583	0.3740	1.3386			SB208			

NOTE: To specify relubricatable units, add "G" suffix.

BLP/ALP Pillow Block Cast Housing

LIGHT DUTY HOUSINGS — NARROW INNER RING INSERTS



BLP200 SERIES - WITH SET SCREWS

A&L Unit Number	Shaft Dia. d	DIMENSIONS										Bolt Used	Bearing Number	Housing No.	Weight lbs
		H	L	J	A	N2	N1	H1	H0	S	Bi				
BLP201-08 BLP202-10 BLP203	1/2 5/8 17mm	30.2 1.1890	114 4.4882	87 3.4252	25 0.9843	16 0.6299	11 0.4331	12 0.4724	57 2.2441	6 0.2360	22 0.8661	3/8	SB201-08 SB202-10 SB203	LP203	0.79
BLP204-12 BLP204	3/4 20mm	33.3 1.3110	125 4.9213	97 3.8189	27 1.0630	16 0.6299	11 0.4331	13 0.5118	65 2.5591	7 0.2756	25 0.9843	3/8	SB204-12 SB204	LP204	1.10
BLP205-14 BLP205-15 BLP205-16 BLP205	7/8 15/16 1 25mm	36.5 1.4370	130 5.1181	100 3.9370	29 1.1417	16 0.6299	11 0.4331	13 0.5118	71 2.7953	7.5 0.2953	27 1.0630	3/8	SB205-14 SB205-15 SB205-16 SB205	LP205	1.30
BLP206-18 BLP206-19 BLP206-20 BLP206	1-1/8 1-3/16 1-1/4 30mm	42.9 1.6890	156 6.1417	120 4.7244	33 1.2992	21 0.8268	14 0.5512	14 0.5512	83 3.2677	8 0.3150	29 1.1417	1/2	SB206-18 SB206-19 SB206-20 SB206	LP206	1.50
BLP207-20 BLP207-21 BLP207-22 BLP207-23 BLP207	1-1/4 1-5/16 1-3/8 1-7/16 35mm	47.6 1.8740	165 6.4961	127 5.0000	35 1.3780	21 0.8268	14 0.5512	16 0.6299	94 3.7180	9 0.3543	32 1.2598	1/2	SB207-20 SB207-21 SB207-22 SB207-23 SB207	LP207	2.10

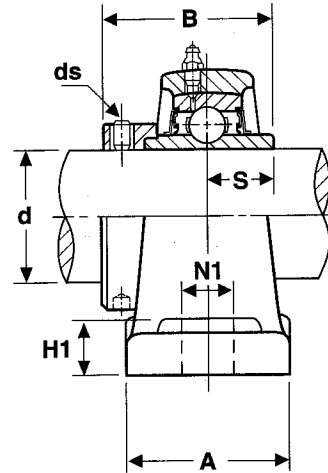
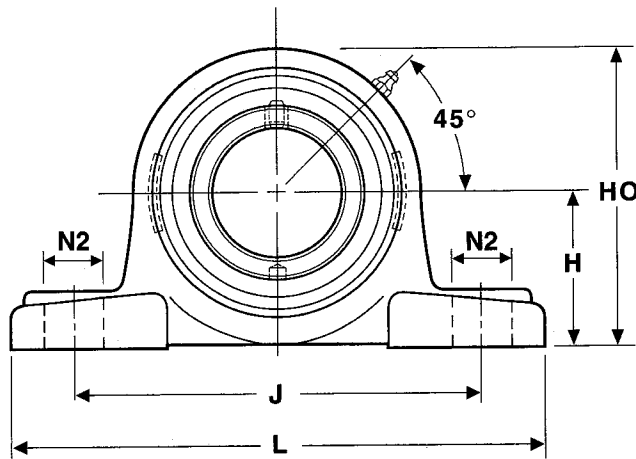
ALP200 SERIES - WITH ECCENTRIC LOCKING

A&L Unit Number	Shaft Dia. d	DIMENSIONS										Bolt Used	Bearing Number	Housing No.	Weight lbs	
		H	L	J	A	N2	N1	H1	H0	S	Bi					d1
ALP201-08 ALP202-10 ALP203	1/2 5/8 17mm	30.2 1.1890	114 4.4882	87 3.4252	25 0.9843	16 0.6299	11 0.4331	12 0.4724	57 2.2441	6.5 0.2559	28.6 1.1260	28.6 1.1260	3/8	SA201-08 SA202-10 SA203	LP203	0.86
ALP204-12 ALP204	3/4 20mm	33.3 1.3110	125 4.9213	97 3.8189	27 1.0630	16 0.6299	11 0.4331	13 0.5118	65 2.5591	7 0.2756	29.5 1.1614	33.3 1.3110	3/8	SA204-12 SA204	LP204	1.10
ALP205-14 ALP205-15 ALP205-16 ALP205	7/8 15/16 1 25mm	36.5 1.4370	130 5.1181	100 3.9370	29 1.1417	16 0.6299	11 0.4331	13 0.5118	71 2.7953	7.5 0.2953	30.5 1.2008	38.1 1.5000	3/8	SA205-14 SA205-15 SA205-16 SA205	LP205	1.30
ALP206-18 ALP206-19 ALP206-20 ALP206	1-1/8 1-3/16 1-1/4 30mm	42.9 1.6890	156 6.1417	120 4.7244	33 1.2992	21 0.8268	14 0.5512	14 0.5512	83 3.2677	8 0.3150	33.9 1.3308	44.5 1.7520	1/2	SA206-18 SA206-19 SA206-20 SA206	LP206	1.60
ALP207-20 ALP207-21 ALP207-22 ALP207-23 ALP207	1-1/4 1-5/16 1-3/8 1-7/16 35mm	47.6 1.8740	165 6.4961	127 5.0000	35 1.3780	21 0.8268	14 0.5512	16 0.6299	94 3.7180	9 0.3543	37.5 1.4764	55.6 2.1890	1/2	SA207-20 SA207-21 SA207-22 SA207-23 SA207	LP207	2.20

NOTE: To specify relubricatable units, add "G" suffix.

HCP Pillow Block Cast Housing

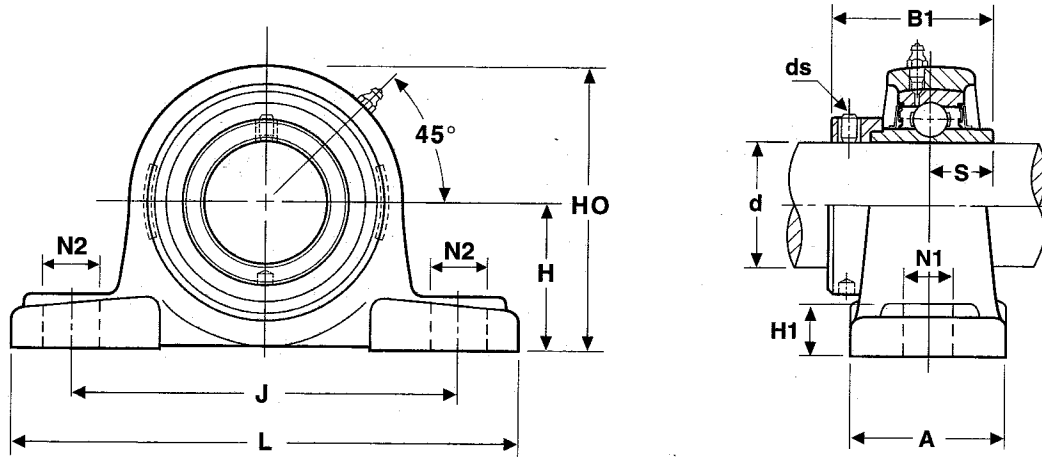
HIGH CENTER HEIGHT – ECCENTRIC LOCKING COLLAR



A&L Unit Number	Shaft Dia. d	DIMENSIONS										Set Screw ds UNF	Bolt Used	Bearing Number	Housing No.	Weight		
		H	L	J	A	N1	N2	H1	HO	S	B					kg	lbs	
HCP201-08	1/2																	
HCP202-10	5/8	33.3	127	96	37	13	16	14	63.8	17	43.5	1/4-28	3/8	HC201-08	P204	0.70	1.54	
HCP204-12	3/4	1.3110	5.0000	3.7795	1.4567	0.5118	0.6299	0.5512	2.5118	0.6693	1.7126			HC202-10				
HCP204	20mm													HC204-12				
HCP205-14	7/8													HC205-14	P205	0.75	1.65	
HCP205-15	15/16	36.5	140	105	38	13	19	15	69.5	17.4	44.3	1/4-28	3/8	HC205-15				
HCP205-16	1	1.4370	5.5118	4.1339	1.4961	0.5118	0.7480	0.5906	2.7362	0.6850	1.7441			HC205-16				
HCP205	25mm													HC205				
HCP206-18	1-1/8													HC206-18	P206	1.30	2.86	
HCP206-19	1-3/16	42.9	165	121	44	17	21	16	82	18.2	48.3	1/4-28	1/2	HC206-19				
HCP206-20	1-1/4	1.6890	6.5000	4.7638	1.7323	0.669	0.826	0.6299	3.2283	0.7165	1.9018			HC206-20				
HCP206	30mm													HC206				
HCP207-20	1-1/4													HC207-20	P207	1.60	3.52	
HCP207-21	1-5/16	47.6	167	126	48	17	21	17	92	18.8	51.1	5/16-24	1/2	HC207-21				
HCP207-22	1-3/8	1.8740	6.5748	4.9606	1.8898	0.669	0.826	0.6693	3.6220	0.7402	2.0118			HC207-22				
HCP207-23	1-7/16													HC207-23				
HCP207	35mm													HC207				
HCP208-24	1-1/2	49.2	184	136	52	17	21	18	98	21.4	56.3	5/16-24	1/2	HC208-24	P208	1.90	4.18	
HCP208	40mm	1.9370	7.2500	5.3543	2.0472	0.669	0.8268	0.7087	3.8583	0.8425	2.2165			HC208				
HCP209-26	1-5/8													HC209-26	P209	2.30	5.06	
HCP209-27	1-11/16	54	190	146	54	17	21	20	105.5	21.4	56.3	5/16-24	1/2	HC209-27				
HCP209-28	1-3/4	2.1260	7.4690	5.7480	2.1260	0.669	0.8268	0.7874	4.1535	0.8425	2.2165			HC209-28				
HCP209	45mm													HC209				
HCP210-30	1-7/8													HC210-30	P210	2.60	5.72	
HCP210-31	1-15/16	57.2	206	159	57	20	22	21	112.2	24.6	62.7	5/16-24	5/8	HC210-31				
HCP210-32	2	2.2520	8.1250	6.2598	2.2441	0.7810	0.8661	0.8268	4.4173	0.9685	2.4685			HC210-32				
HCP210	50mm													HC210				
HCP211-32	2													HC211-32	P211	3.30	7.26	
HCP211-34	2-1/8	63.5	219	172	60	20	22	22	124.5	27.7	71.3	3/8-24	5/8	HC211-34				
HCP211-35	2-3/16	2.5000	8.6250	6.7717	2.3622	0.7810	0.8661	0.8661	4.9016	1.0906	2.8071			HC211-35				
HCP211	55mm													HC211				
HCP212-36	2-1/4													HC212-36	P212	4.60	10.12	
HCP212-38	2-3/8	69.9	241	186	66	20	25	24	137	30.9	77.7	3/8-24	5/8	HC212-38				
HCP212-39	2-7/16	2.7520	9.5000	7.3228	2.5984	0.7810	0.9843	0.9449	5.3937	1.2165	3.0591			HC212-39				
HCP212	60mm													HC212				
HCP213-40	2-1/2	76.2	265	203	70	25	30	26	149	34.1	85.7	3/8-24	3/4	HC213-40	P213	5.90	12.98	
HCP213	65mm	3.0000	10.4370	7.9921	2.7559			1.0236	5.8661	1.3425	3.3740			HC213				
HCP214-44	2-3/4	79.4	266	210	72	25	30	27	155	34.1	85.7	3/8-24	3/4	HC214-44	P214	6.90	15.18	
HCP214	70mm	3.1260	10.4724	8.2677	2.8346			1.0630	6.1024	1.3425	3.3740			HC214				
HCP215-47	2-15/16	82.6	275	217	74	25	30	28	161.6	37.3	92.1	3/8-24	3/4	HC215-47	P215	7.30	16.06	
HCP215-48	3	3.2520	10.8125	8.5433	2.9134	1.000	1.1880	1.1024	6.3622	1.4685	3.6260			HC215-48				
HCP215	75mm													HC215				

HCAK Pillow Block Cast Housing

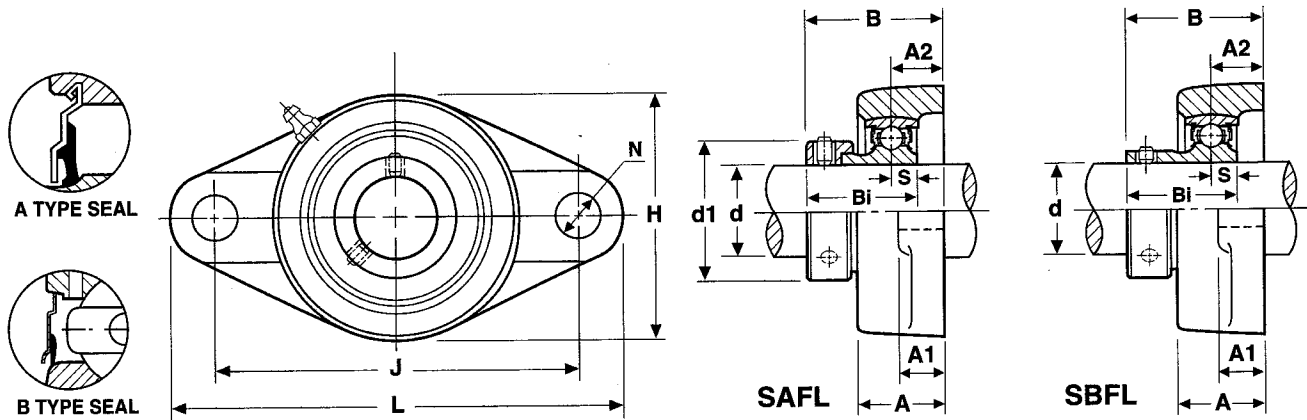
LOW CENTER HEIGHT – ECCENTRIC LOCKING COLLAR



A&L Unit Number	Shaft Dia. d	DIMENSIONS										Set Screw ds UNF	Bolt Used	Bearing Number	Housing No.	Weight	
		H	L	J	A	N1	N2	H1	HO	S	B1					kg	lbs
HCAK201-08 HCAK202-10 HCAK204-12 HCAK204	1/2 5/8 3/4 20mm	31.8	133	96	38	11	14	14	63	17	43.5	1/4-28	3/8	HC201-08 HC202-10 HC204-12 HC204	AK204	0.74	1.63
HCAK205-14 HCAK205-15 HCAK205-16 HCAK205	7/8 15/16 1 25mm	33.3	140	105	40	11	14	15	66.5	17.4	44.3	1/4-28	3/8	HC205-14 HC205-15 HC205-16 HC205	AK205	0.82	1.80
HCAK206-18 HCAK206-19 HCAK206-20 HCAK206	1-1/8 1-3/16 1-1/4 30mm	39.7	160	121	44	14	19	17	79	18.2	48.3	5/16-24	1/2	HC206-18 HC206-19 HC206-20 HC206	AK206	1.4	3.08
HCAK207-20 HCAK207-21 HCAK207-22 HCAK207-23 HCAK207	1-1/4 1-5/16 1-3/8 1-7/16 35mm	46	167	127	48	14	19	18	91	18.8	51.1	5/16-24	1/2	HC207-20 HC207-21 HC207-22 HC207-23 HC207	AK207	1.75	3.85
HCAK208-24 HCAK208	1-1/2 40mm	49.2	181	140	52	14	19	19	98	21.4	56.3	5/16-24	1/2	HC208-24 HC208	AK208	2.05	4.51
HCAK209-26 HCAK209-27 HCAK209-28 HCAK209	1-5/8 1-11/16 1-3/4 45mm	52.4	191	146	54	14	19	20	105	21.4	56.3	5/16-24	1/2	HC209-26 HC209-27 HC209-28 HC209	AK209	2.5	5.50
HCAK210-30 HCAK210-31 HCAK210-32 HCAK210	1-7/8 1-15/16 2 50mm	55.6	203	159	57	14	21	21	111.5	24.6	62.7	5/16-24	5/8	HC210-30 HC210-31 HC210-32 HC210	AK210	2.85	6.27
HCAK211-32 HCAK211-34 HCAK211-35 HCAK211	2 2-1/8 2-3/16 55mm	61.9 2.4370	232 9.1339	181 7.1260	60 2.3622	18 0.7087	24 0.9449	23 0.9055	123 4.8425	27.7 1.0906	71.3 2.8071	3/8-24	5/8	HC211-32 HC211-34 HC211-35 HC211	AK211	3.7	8.14
HCAK212-36 HCAK212-38 HCAK212-39 HCAK212	2-1/4 2-3/8 2-7/16 60mm	68.3	241	191	64	18	24	25	136	30.9	77.7	3/8-24	5/8	HC212-36 HC212-38 HC212-39 HC212	AK212	5.2	11.44
HCAK213-40 HCAK213	2-1/2 65mm	68.3 2.6890	248 9.7636	194 7.6376	70 2.7559	18 0.7087	29 1.1417	27 1.0630	141 5.5512	34.1 1.9425	85.7 3.3740	3/8-24	5/8	HC213-40 HC213	AK213	6.5	14.30
HCAK214-44 HCAK214	2-3/4 70mm	82.6	294	232	72	22	32	29	160	34.1	85.7	3/8-24	3/4	HC214-44 HC214	AK214	7.12	15.66
HCAK215-47 HCAK215-48 HCAK215	2-15/16 3 75mm	84.1	304	241	74	22	32	32	165	37.3	92.1	3/8-24	3/4	HC215-47 HC215-48 HC215	AK215	7.9	17.38

SBFL/SAFL 2-Bolt Flange Units

NARROW INNER RING INSERTS



SBFL200 SERIES - SET SCREW TYPE

A&L Unit Number	Shaft Dia. d	DIMENSIONS											Bolt Used	Bearing Number	Housing No.	Weight	
		L	J	A2	A1	A	N	H	B	Bi	S	kg				lbs	
SBFL201-8G SBFL202-10G SBFL203	1/2 5/8 17mm	98 3.858	76.2 3.0	15 0.5906	11 0.4331	18 0.709	10 0.3937	54 2.13	33.3 1.312	22 0.8661	5 0.1968	3/8	SB201-8G SB202-10G SB203	FL203	0.40	0.88	
SBFL204-12	3/4	113 4.4488	90 3.5433	15 0.5906	11 0.4331	25.5 1.0039	11.5 0.4528	60 2.3622	33.34 1.3126	25 0.9843	7 0.2756	3/8	SB204-12	FL204	0.47	1.04	
SBFL205-14 SBFL205-15 SBFL205-16	7/8 15/16 1	130 5.1181	99 3.8976	16 0.6299	13 0.5118	27 1.0630	11.5 0.4528	68 2.6772	37.31 1.4689	27 1.0630	7.5 0.2953	7/16	SB205-14 SB205-15 SB205-16	FL205	0.67	1.48	
SBFL206-17 SBFL206-18 SBFL206-19 SBFL206-20	1-1/16 1-1/8 1-3/16 1-1/4	148 5.8268	117 4.6063	18 0.7087	13 0.5118	31 1.2205	11.5 0.4528	80 3.1496	40.50 1.593	29 1.1417	8 0.3150	7/16	SB206-17 SB206-18 SB206-19 SB206-20	FL206	0.91	2.01	
SBFL207-20 SBFL207-21 SBFL207-22 SBFL207-23	1-1/4 1-5/16 1-3/8 1-7/16	161 6.3386	130 5.1181	19 0.7480	14 0.5512	34 1.3386	13 0.5118	90 3.5433	44.45 1.7500	32 1.2598	9 0.3543	1/2	SB207-20 SB207-21 SB207-22 SB207-23	FL207	1.26	2.78	
SBFL208-24	1-1/2	175 6.8898	144 5.6693	21 0.8268	14 0.5512	36 1.4173	13 0.5118	100 3.9370	51.2 2.0157	34 1.3386	9.5 0.3740	1/2	SB208-24	FL208	1.61	3.55	

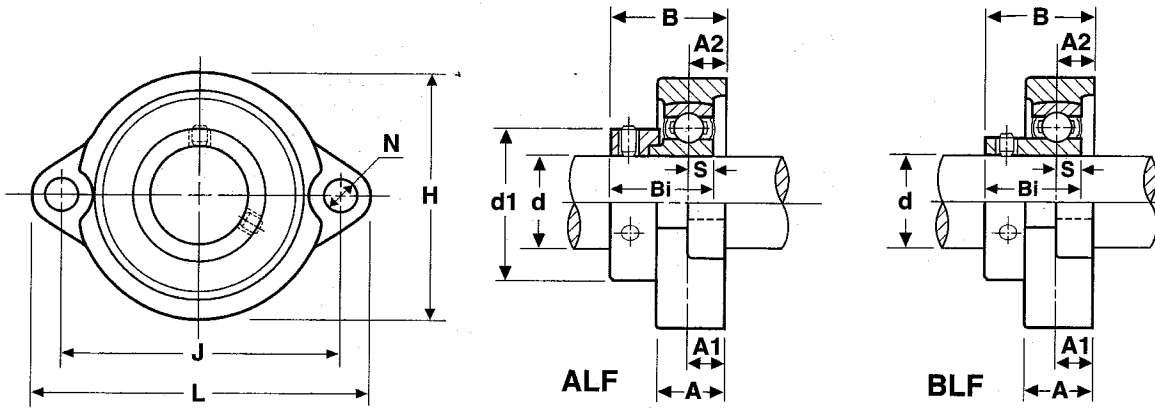
SAFL200 SERIES - ECCENTRIC LOCKING COLLAR TYPE

A&L Unit Number	Shaft Dia. d	DIMENSIONS											Bolt Used	Bearing Number	Housing No.	Weight	
		L	J	A2	A1	A	N	H	B	Bi	S	d1				kg	lbs
SAFL201-8G SAFL202-10G SAFL203	1/2 5/8 17mm	98 3.858	76.2 3.00	15 0.5906	11 0.4331	18 0.709	10 0.3937	54 2.13	39.2 1.547	28.6 1.126	6.5 0.256		3/8	SA201-8G SA202-10G SA203	FL203	0.43	0.95
SAFL204-12	3/4	113 4.4488	90 3.5433	15 0.5906	11 0.4331	25.5 1.0039	11.5 0.4528	60 2.3622	39.2 1.547	29.5 1.1614	7 0.2756	33.3 1.3110	3/8	SA204-12G	FL204	0.49	1.08
SAFL205-14 SAFL205-15 SAFL205-16 SAFL206-17	7/8 15/16 1 1-1/16	130 5.1181	99 3.8976	16 0.6299	13 0.5118	27 1.0630	11.5 0.4528	68 2.6772	41.2 1.624	30.5 1.2008	7.5 0.2953	38.1 1.5000	7/16	SA205-14 SA205-15 SA205-16 SA206-17	FL205	0.69	1.52
SAFL206-18 SAFL206-19 SAFL206-20 SAFL207-20	1-1/8 1-3/16 1-1/4 1-1/4	148 5.8268	117 4.6063	18 0.7087	13 0.5118	31 1.2205	11.5 0.4528	80 3.1496	46.1 1.818	33.9 1.3346	8 0.3150	44.5 1.7520	7/16	SA206-18 SA206-19 SA206-20 SA207-20	FL206	0.97	2.14
SAFL207-21 SAFL207-22 SAFL207-23	1-5/16 1-3/8 1-7/16	161 6.3386	130 5.1181	19 0.7480	14 0.5512	34 1.3386	13 0.5118	90 3.5433	51.3 2.02	37.5 1.4764	9 0.3543	55.6 2.1890	1/2	SA207-21 SA207-22 SA207-23	FL207	1.37	3.02
SAFL208-24	1-1/2	175 6.8898	144 5.6693	21 0.8268	14 0.5512	36 1.4173	13 0.5118	100 3.9370	60.9 2.397	40.5 1.5945	9.5 0.3740	60.3 2.3740	1/2	SA208-24	FL208	1.69	3.73

NOTE: To specify relubricatable units, add "G" suffix.

BLF/ALF 2-Bolt Flange Units

LIGHT DUTY CAST IRON HOUSINGS — NARROW INNER RING INSERTS



BLF200 SERIES - SET SCREW TYPE

A&L Unit Number	Shaft Dia. d	DIMENSIONS										Bolt Used	Bearing Number	Housing No.	Weight lbs
		L	J	A2	A1	A	N	H	S	B	Bi				
BLF201-08 BLF202-10 BLF203	1/2 5/8 17mm	81 3.1890	63.5 2.5000	9.5 0.3740	9.5 0.3740	18 0.7087	8 0.3150	56 2.2047	5 0.1968	32 1.2598	22 0.8661	1/4	SB201-08 SB202-10 SB203	LF203	0.55
BLF204-12 BLF204	3/4 20mm	90 3.5433	71.5 2.8150	11 0.4331	11 0.4331	20 0.7874	10 0.3937	61 2.4016	7 0.2756	33.5 1.3189	25 0.9843	5/16	SB204-12 SB204	LF204	0.73
BLF205-14 BLF205-15 BLF205-16 BLF205	7/8 15/16 1 25mm	95 3.7402	76 2.9921	11 0.4331	11 0.4331	20 0.7874	10 0.3937	64 2.5197	7.5 0.2953	34 1.3386	27 1.0630	5/16	SB205-14 SB205-15 SB205-16 SB205	LF205	0.84
BLF206-18 BLF206-19 BLF206-20 BLF206	1-1/8 1-3/16 1-1/4 30mm	113 4.4488	90.5 3.5630	12 0.4724	12 0.4724	22.5 0.8858	12 0.4724	76 2.9921	8 0.3150	37.9 1.4921	29 1.1417	3/8	SB206-18 SB206-19 SB206-20 SB206	LF206	1.30
BLF207-20 BLF207-21 BLF207-22 BLF207-23 BLF207	1-1/4 1-5/16 1-3/8 1-7/16 35mm	122 4.8031	100 3.9370	13 0.5118	13 0.5118	24 0.9449	12 0.4724	89 3.5039	8.5 0.3346	41 1.6142	32 1.2598	3/8	SB207-20 SB207-21 SB207-22 SB207-23 SB207	LF207	1.70

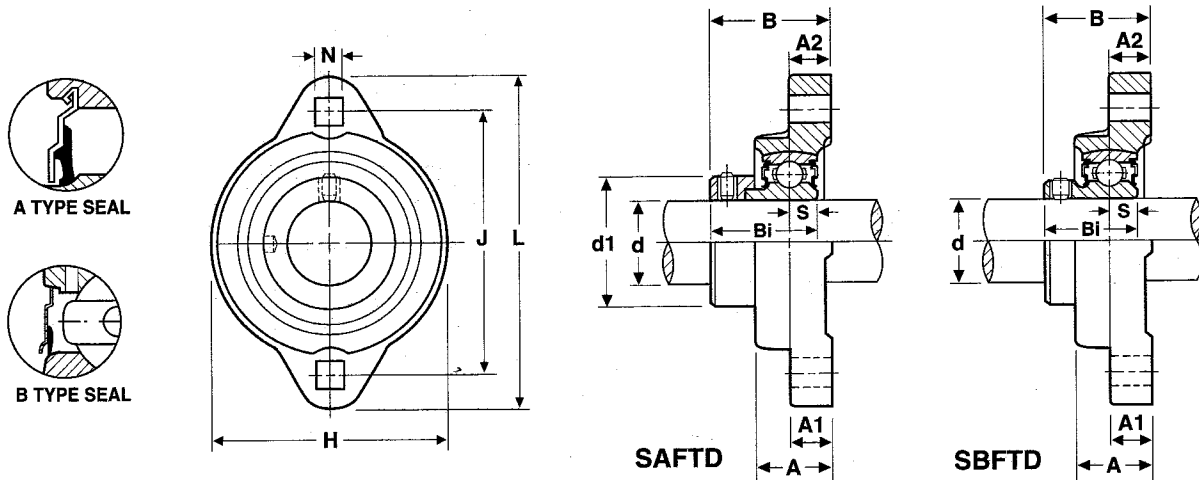
ALF200 SERIES - ECCENTRIC LOCKING COLLAR TYPE

A&L Unit Number	Shaft Dia. d	DIMENSIONS										Bolt Used	Bearing Number	Housing No.	Weight lbs	
		L	J	A2	A1	A	N	H	S	B	Bi					d1
ALF201-08 ALF202-10 ALF203	1/2 5/8 17mm	81 3.1890	63.5 2.5000	9.5 0.3740	9.5 0.3740	18 0.7087	8 0.3150	56 2.2047	6 0.2362	32 1.2598	29.5 1.1614	28.6 1.1260	1/4	SA201-08 SA202-10 SA203	LF203	0.62
ALF204-12 ALF204	3/4 20mm	90 3.5433	71.5 2.8150	11 0.4331	11 0.4331	20 0.7874	10 0.3937	61 2.4016	7 0.2756	33.5 1.3189	29.5 1.1614	33.3 1.3110	5/16	SA204-12 SA204	LF204	0.73
ALF205-14 ALF205-15 ALF205-16 ALF205	7/8 15/16 1 25mm	95 3.7402	76 2.9921	11 0.4331	11 0.4331	20 0.7874	10 0.3937	64 2.5197	7.5 0.2953	34 1.3386	30.5 1.2008	38.1 1.5000	5/16	SA205-14 SA205-15 SA205-16 SA205	LF205	0.93
ALF206-18 ALF206-19 ALF206-20 ALF206	1-1/8 1-3/16 1-1/4 30mm	113 4.4488	90.5 3.5630	12 0.4724	12 0.4724	22.5 0.8858	12 0.4724	76 2.9921	8 0.3150	37.9 1.4921	33.9 1.3346	44.5 1.7520	3/8	SA206-18 SA206-19 SA206-20 SA206	LF206	1.30
ALF207-20 ALF207-21 ALF207-22 ALF207-23 ALF207	1-1/4 1-5/16 1-3/8 1-7/16 35mm	122 4.8031	100 3.9370	13 0.5118	13 0.5118	24 0.9449	12 0.4724	89 3.5039	8.5 0.3346	41 1.6142	37.5 1.4764	55.6 2.1890	3/8	SA207-20 SA207-21 SA207-22 SA207-23 SA207	LF207	1.90

NOTE: To specify relubricatable units, add "G" suffix.

SBFTD/SAFTD 2-Bolt Flange Units

DUCTILE IRON HOUSINGS — NARROW INNER RING INSERTS



SBFTD200 SERIES - SET SCREW TYPE

A&L Unit Number	Shaft Dia. d	DIMENSIONS									Bolt Used	Bearing Number	Housing No.	Weight	
		L	J	A1	A	N	H	S	B	Bi				kg	lbs
SBFTD201-08	1/2	81	64	10	17	7	56	5	25.2	22	1/4	SB201-08	PFTD203	0.23	0.51
SBFTD202-10	5/8	3.1890	2.5197	0.3937	0.6693	0.2756	2.2047	0.1968	0.9921	0.8661		SB202-10			
SBFTD203	17mm											SB203			
SBFTD204-12	3/4	90	71	11	20	9	63	7	28.1	25	5/16	SB204-12	PFTD204	0.27	0.59
SBFTD204	20mm	3.5433	2.7953	0.4331	0.7874	0.3543	2.4803	0.2756	1.1063	0.9843		SB204			
SBFTD205-14	7/8	95	76	11	20	9	69	7.5	28.1	27	5/16	SB205-14	PFTD205	0.38	0.84
SBFTD205-15	15/16											SB205-15			
SBFTD205-16	1	3.7402	2.9921	0.4331	0.7874	0.3543	2.7165	0.2953	1.1063	1.0630		SB205-16			
SBFTD205	25mm											SB205			
SBFTD206-18	1-1/8	113	90	12	22	10	79	8	33.2	29	3/8	SB206-18	PFTD206	0.54	1.19
SBFTD206-19	1-3/16											SB206-19			
SBFTD206-20	1-1/4	4.4488	3.5433	0.4724	0.8661	0.3937	3.1102	0.3150	1.3071	1.1417		SB206-20			
SBFTD206	30mm											SB206			
SBFTD207-20	1-1/4	122	100	13	24	10	89	9	35.2	32	3/8	SB207-20	PFTD207	0.71	1.56
SBFTD207-21	1-5/16											SB207-21			
SBFTD207-22	1-3/8	4.8031	3.9370	0.5118	0.9449	0.3937	3.5039	0.3543	1.3858	1.2598		SB207-22			
SBFTD207-23	1-7/16											SB207-23			
SBFTD207	35mm											SB207			

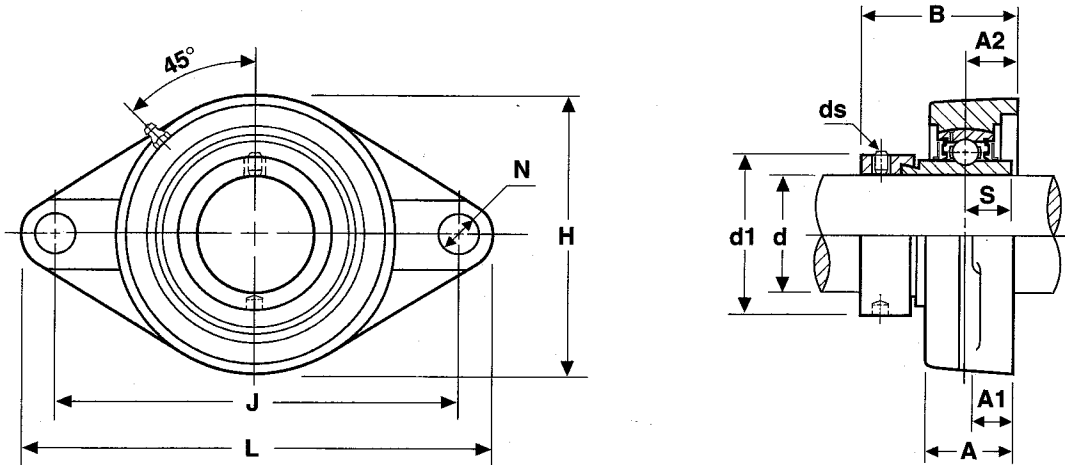
SAFTD200 SERIES - ECCENTRIC LOCKING COLLAR TYPE

A&L Unit Number	Shaft Dia. d	DIMENSIONS									Bolt Used	Bearing Number	Housing No.	Weight		
		L	J	A1	A	N	H	S	B	Bi				d1	kg	lbs
SAFTD201-08	1/2	81	64	10	17	7	56	7	31.8	29.5	28.6	1/4	SA201-08	PFTD203	0.26	0.57
SAFTD202-10	5/8	3.1890	2.5197	0.3937	0.6693	0.2756	2.2047	0.2756	1.2520	1.1614	1.1260		SA202-10			
SAFTD203	17mm												SA203			
SAFTD204-12	3/4	90	71	11	20	9	63	7	34.1	29.5	33.3	5/16	SA204-12	PFTD204	0.29	0.64
SAFTD204	20mm	3.5433	2.7953	0.4331	0.7874	0.3543	2.4803	0.2756	1.3425	1.1614	1.3110		SA204			
SAFTD205-14	7/8	95	76	11	20	9	69	7.5	34.1	30.5	38.1	5/16	SA205-14	PFTD205	0.40	0.88
SAFTD205-15	15/16												SA205-15			
SAFTD205-16	1	3.7402	2.9921	0.4331	0.7874	0.3543	2.7165	0.2953	1.3425	1.2008	1.5000		SA205-16			
SAFTD205	25mm												SA205			
SAFTD206-18	1-1/8	113	90	12	22	10	79	8	38.9	33.9	44.5	3/8	SA206-18	PFTD206	0.60	1.32
SAFTD206-19	1-3/16												SA206-19			
SAFTD206-20	1-1/4	4.4488	3.5433	0.4724	0.8661	0.3937	3.1102	0.3150	1.5315	1.3346	1.7520		SA206-20			
SAFTD206	30mm												SA206			
SAFTD207-20	1-1/4	122	100	13	24	10	89	9	42.1	37.5	55.6	3/8	SA207-20	PFTD207	0.84	1.85
SAFTD207-21	1-5/16												SA207-21			
SAFTD207-22	1-3/8	4.8031	3.9370	0.5118	0.9449	0.3937	3.5039	0.3543	1.6575	1.4764	2.1890		SA207-22			
SAFTD207-23	1-7/16												SA207-23			
SAFTD207	35mm												SA207			

NOTE: To specify relubricatable units, add "G" suffix.

HCFT 2-Bolt Flange Units

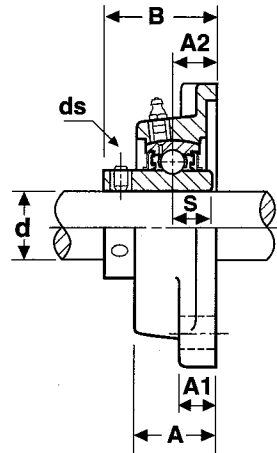
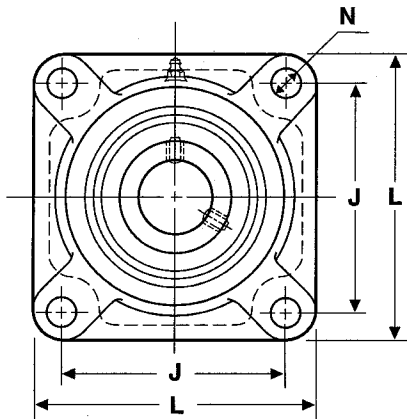
ECCENTRIC LOCKING COLLAR TYPE



A&L Unit Number	Shaft Dia. d	DIMENSIONS									Set Screw ds UNF	Bolt Used	Bearing Number	Housing No.	Weight	
		L	J	H	A2	A1	A	S	N	B					kg	lbs
HCFT204-12 HCFT204	3/4 20mm	112.5 4.4291	90 3.5433	61 1.0000	19 0.7480	15 0.5906	29.5 1.1614	17 0.6693	10 0.3937	45.5 1.7913	1/4-28	3/8	HC204-12 HC204	FT204	0.80	1.76
HCFT205-14 HCFT205-15 HCFT205-16 HCFT205	7/8 15/16 1 25mm	123 4.8425	99 3.8976	70 2.7559	19 0.7480	15 0.5906	30 1.1811	17.4 0.6850	11.5 0.4528	45.9 1.8071	1/4-28	7/16	HC205-14 HC205-15 HC205-16 HC205	FT205	0.90	1.98
HCFT206-18 HCFT206-19 HCFT206-20 HCFT206	1-1/8 1-3/16 1-1/4 30mm	142 5.5906	116.5 4.5866	82 3.2283	20 0.7874	16 0.6299	32.5 1.2795	18.2 0.7165	11.5 0.4528	50.1 1.9724	5/16-24	7/16	HC206-18 HC206-19 HC206-20 HC206	FT206	1.30	2.86
HCFT207-20 HCFT207-21 HCFT207-22 HCFT207-23 HCFT207	1-1/4 1-5/16 1-3/8 1-7/16 35mm	158 6.2205	130 5.1181	94 3.7008	21 0.8268	17 0.6693	36 1.4173	18.8 0.7402	13 0.5118	53.3 2.0984	5/16-24	1/2	HC207-20 HC207-21 HC207-22 HC207-23 HC207	FT207	1.70	3.74
HCFT208-24 HCFT208	1-1/2 40mm	172 6.7717	143.5 5.6496	103 4.0551	24 0.9449	17 0.6693	39 1.5354	21.4 0.8425	13 0.5118	58.9 2.3189	5/16-24	1/2	HC208-24 HC208	FT208	1.90	4.18
HCFT209-26 HCFT209-27 HCFT209-28 HCFT209	1-5/8 1-11/16 1-3/4 45mm	180 7.0866	148.5 5.8465	108 4.2520	24 0.9449	18 0.7087	40 1.5748	21.4 0.8425	15 0.5906	58.9 2.3189	5/16-24	19/16	HC209-26 HC209-27 HC209-28 HC209	FT209	2.40	5.28
HCFT210-30 HCFT210-31 HCFT210-32 HCFT210	1-7/8 1-15/16 2 50mm	190 7.4803	157 6.1811	114 4.4882	28 1.1024	20 0.7874	45 1.7717	24.6 0.9685	15 0.5906	66.1 2.6024	5/16-24	9/16	HC210-30 HC210-31 HC210-32 HC210	FT210	2.70	5.94
HCFT211-32 HCFT211-34 HCFT211-35 HCFT211	2 2-1/8 2-3/16 55mm	217 8.5433	184 7.2441	128 5.0394	31 1.2205	21 0.8268	48 1.8898	27.7 1.0906	16.5 0.6496	74.6 2.9370	3/8-24	5/8	HC211-32 HC211-34 HC211-35 HC211	FT211	3.80	8.36
HCFT212-36 HCFT212-38 HCFT212-39 HCFT212	2-1/4 2-3/8 2-7/16 60mm	237 9.3307	202 7.9528	138 5.4331	34 1.3386	21 0.8268	53 2.0866	30.9 1.2165	16.5 0.6496	80.8 3.1811	3/8-24	5/8	HC212-36 HC212-38 HC212-39 HC212	FT212	4.90	10.78

UCF 4-Bolt Flange Unit

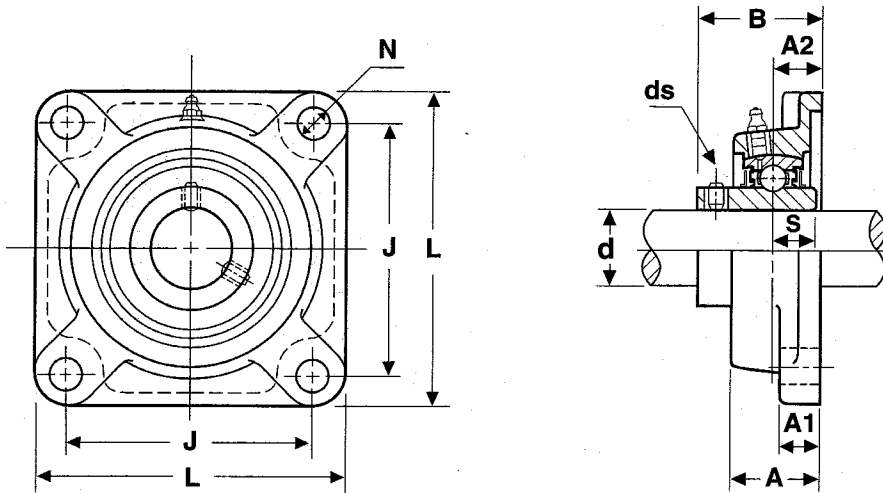
SET SCREW TYPE



A&L Unit Number	Shaft Dia. d	DIMENSIONS								Set Screw ds UNF	Bolt Used	Bearing Number	Housing No.	Weight		
		L	J	A2	A1	A	S	N	B					kg	lbs	
UCF201-8	1/2															
UCF202-10	5/8	86	64	15	11	25.5	12.7	11.5	33.3	1/4-28	3/8	UC201-8	F204	0.61	1.34	
UCF204-12	3/4	3.3858	2.5197	0.5906	0.4331	1.0039	0.5000	0.4528	1.3110			UC202-10				
UCF204	20mm											UC204-12				
												UC204				
UCF205-14	7/8															
UCF205-15	15/16	95	70	16	13	27	14.3	11.5	35.7	1/4-28	3/8	UC205-14	F205	0.80	1.76	
UCF205-16	1	3.7402	2.7559	0.6299	0.5118	1.0630	0.5630	0.4528	1.4055			UC205-15				
UCF205	25mm											UC205-16				
												UC205				
UCF206-18	1-1/8															
UCF206-19	1-3/16	108	83	18	13	31	15.9	13	40.2	1/4-28	7/16	UC206-18	F206	1.00	2.20	
UCF206-20	1-1/4	4.2520	3.2677	0.7087	0.5118	1.2205	0.6260	0.5118	1.5827			UC206-19				
UCF206	30mm											UC206-20				
												UC206				
UCF207-20	1-1/4															
UCF207-21	1-5/16	117	92	19	15	34	17.5	13	44.4	5/16-24	7/16	UC207-20	F207	1.40	3.08	
UCF207-22	1-3/8	4.6063	3.6220	0.7480	0.5906	1.3386	0.6890	0.5118	1.7480			UC207-21				
UCF207-23	1-7/16											UC207-22				
UCF207	35mm											UC207-23				
												UC207				
UCF208-24	1-1/2	130	102	21	15	36	19	14	51.2	5/16-24	1/2	UC208-24	F208	1.80	3.96	
UCF208	40mm	5.1181	4.0157	0.8268	0.5906	1.4173	0.7480	0.5512	2.0157			UC208				
UCF209-26	1-5/8															
UCF209-27	1-11/16	137	105	22	16	38	19	16	52.2	5/16-24	9/16	UC209-26	F209	2.20	4.84	
UCF209-28	1-3/4	5.3937	4.1339	0.8661	0.6299	1.4961	0.7480	0.6299	2.0551			UC209-27				
UCF209	45mm											UC209-28				
												UC209				
UCF210-30	1-7/8															
UCF210-31	1-15/16	143	111	22	16	40	19	16	54.6	3/8-24	9/16	UC210-30	F210	2.40	5.28	
UCF210-32	2	5.6299	4.3701	0.8661	0.6299	1.5748	0.7480	0.6299	2.1496			UC210-31				
UCF210	50mm											UC210-32				
												UC210				
UCF211-32	2															
UCF211-34	2-1/8	162	130	25	18	43	22.2	19	58.4	3/8-24	5/8	UC211-32	F211	3.50	7.70	
UCF211-35	2-3/16	6.3780	5.1181	0.9843	0.7087	1.6929	0.8740	0.7480	2.2992			UC211-34				
UCF211	55mm											UC211-35				
												UC211				
UCF212-36	2-1/4															
UCF212-38	2-3/8	175	143	29	18	48	25.4	19	68.7	3/8-24	5/8	UC212-36	F212	4.20	9.24	
UCF212-39	2-7/16	6.8898	5.6299	1.1417	0.7087	1.8898	1.0000	0.7480	2.7047			UC212-38				
UCF212	60mm											UC212-39				
												UC212				
UCF213-40	2-1/2	187	149	30	22	50	25.4	19	69.7	3/8-24	5/8	UC213-40	F213	5.30	11.66	
UCF213	65mm	7.3622	5.8661	1.1811	0.8661	1.9685	1.0000	0.7480	2.7441			UC213				
UCF214-44	2-3/4	193	152	31	22	54	30.2	19	75.4	7/16-20	11/16	UC214-44	F214	5.90	12.98	
UCF214	70mm	7.5984	5.9843	1.2205	0.8661	2.1260	1.1890	0.7480	2.9685			UC214				
UCF215-47	2-15/16	200	159	34	22	56	33.3	19	78.5	7/16-20	11/16	UC215-47	F215	6.30	13.86	
UCF215-48	3	7.8740	6.2598	1.3386	0.8661	2.2047	1.3110	0.7480	3.0906			UC215-48				
UCF215	75mm											UC215				

UCFX 4-Bolt Flange Unit

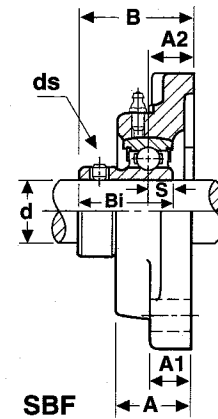
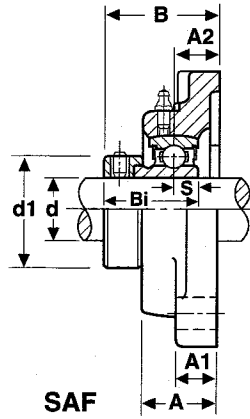
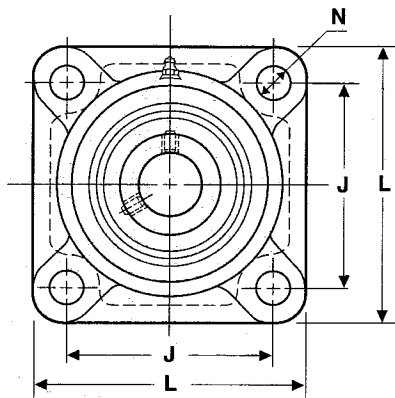
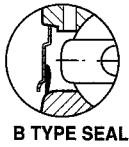
MEDIUM DUTY SERIES – SET SCREW TYPE



A&L Unit Number	Shaft Dia. d	DIMENSIONS								Bolt Used	Bearing Number	Housing No.	Weight lbs
		L	J	A2	A1	A	B	N	S				
UCFX05-14	7/8												
UCFX05-15	15/16	108	82.5	18	13	30	40.2	11.5	15.9	3/8	UCX05-14	FX05	1.76
UCFX05	25mm	4.2520	3.2480	0.7087	0.5118	1.1811	1.5827	0.4528	0.6260		UCX05-15		
UCFX05-16	1										UCX05		
UCFX06-19	1-1/8												
UCFX06-19	1-3/16	117.5	92	19	14	34	44.4	13	17.5	7/16	UCX06-18	FX06	2.36
UCFX06-20	1-1/4	4.6260	3.6220	0.7480	0.5512	1.3386	1.7480	0.5118	0.6890		UCX06-19		
UCFX06	30mm										UCX06-20		
UCFX07-22	1-3/8	130	101.5	21	14	38	51.2	13	19	7/16	UCX07-22	FX07	3.1
UCFX07	35mm	5.1181	3.9961	0.8268	0.5512	1.4961	2.0157	0.5118	0.7480		UCX07		
UCFX07-23	1-7/16										UCX07-23		
UCFX08-24	1-1/2	137	105	22	14	40	52.2	15	19	1/2	UCX08-24	FX08	3.97
UCFX08	40mm	5.3937	4.1339	0.8661	0.5512	1.5748	2.0551	0.5906	0.7480		UCX08		
UCFX09-26	1-5/8												
UCFX09-27	1-11/16	143	111	23	14	40	55.6	15	19	1/2	UCX09-26	FX09	4.85
UCFX09-28	1-3/4	5.6299	4.3701	0.9055	0.5512	1.5748	2.1890	0.5906	0.7480		UCX09-27		
UCFX09	45mm										UCX09-28		
UCFX10-30	1-7/8												
UCFX10-31	1-15/16	162	130	26	20	44	59.4	17	22.2	9/16	UCX10-30	FX10	5.3
UCFX10	50mm	6.3780	5.1181	1.0236	0.7874	1.7323	2.3386	0.6693	0.8740		UCX10-31		
UCFX10-32	2										UCX10		
UCFX11-34	2-1/8												
UCFX11	55mm	175	143	29	20	49	68.7	17	25.4	9/16	UCX11-34	FX11	7.7
UCFX11-35	2-3/16	6.8898	5.6299	1.1417	0.7874	1.9291	2.7047	0.6693	1.0000		UCX11		
UCFX11-36	2-1/4										UCX11-35		
UCFX12	60mm	187	149	34	21	57	73.7	17	25.4	9/16	UCX12	FX12	9.26
UCFX12-38	2-3/8	7.3622	5.8661	1.3386	0.8268	2.2441	2.9016	0.6693	1.0000		UCX12-38		
UCFX12-39	2-7/16										UCX12-39		
UCFX13-40	2-1/2	187	149	34	21	59	78.4	17	30.2	9/16	UCX13-40	FX13	11.7
UCFX13	65mm	7.3622	5.8661	1.3386	0.8268	2.3228	3.0866	0.6693	1.1890		UCX13		
UCFX14-44	2-3/4	197	152	37	24	60	81.5	20	33.3	11/16	UCX14-44		
UCFX14	70mm	7.7559	5.9843	1.4567	0.9449	2.3622	3.2087	0.7874	1.3110		UCX14		
UCFX15	75mm	197	152	40	24	68	89.3	20	33.3	11/16	UCX15		
UCFX15-47	2-15/16	7.7559	5.9843	1.5748	0.9449	2.6772	3.5157	0.7874	1.3110		UCX15-47	FX15	13.9
UCFX15-48	3										UCX15-48		
UCFX16	80mm	214	171	40	24	70	91.6	20	34.1	11/16	UCX16		
UCFX17-52	3-1/4	214	171	40	24	70	96.3	20	39.7	11/16	UCX17-52	FX17	19.9
UCFX17	85mm	8.4252	6.7323	1.5748	0.9449	2.7559	3.7913	0.7874	1.5630		UCX17		
UCFX18-56	3-1/2	214	171	45	24	76	106.1	20	42.9	11/16	UCX18-56		
UCFX18	90mm	8.4252	6.7323	1.7717	0.9449	2.9921	4.1772	0.7874	1.6890		UCX18		
UCFX20	100mm	268	211	50	31	97	118.3	23	49.2	3/4	UCX20		
UCFX20-63	3-15/16	10.5512	8.3071	1.9685	1.2205	3.8189	4.6575	0.9055	1.9370		UCX20-63	FX20	37
UCFX20-64	4										UCX20-64		

SBF/SAF 4-Bolt Flanged Unit Housing

NARROW INNER RING INSERTS



SBF200 SERIES - SET SCREW TYPE

A&L Unit Number	Shaft Dia. d	DIMENSIONS									Set Screw ds UNF	Bolt Used	Bearing Number	Housing No.	Weight	
		L	J	A2	A1	A	S	N	B	B1					kg	lbs
SBF201-08	1/2	76.2	54	15	11	18	7	10	25	16	1/4-28	3/8	SB201-08	F203	.44	.97
SBF202-10	5/8	3.00	2.125	.5906	.4331	.708	.2756	.393	.984	.630			SB202-10			
SBF203	17mm												SB203			
SBF204-12	3/4	86	64	15	11	25.5	7	11.5	33.33	25	1/4-28	3/8	SB204-12	F204	0.62	1.36
SBF204	20mm	3.3858	2.5197	0.5906	0.4331	1.0039	0.2756	0.4528	1.3122	0.9843			SB204			
SBF205-14	7/8	95	70	16	13	27	7.5	11.5	35.72	27	1/4-28	3/8	SB205-14	F205	0.82	1.80
SBF205-15	15/16	3.7402	2.7559	0.6299	0.5118	1.0630	0.2953	0.4528	1.4063	1.0630			SB205-15			
SBF205-16	1												SB205-16			
SBF205	25mm												SB205			
SBF206-18	1-1/8	108	83	18	13	31	8	13	40.48	29	1/4-28	7/16	SB206-18	F206	1.08	2.38
SBF206-19	1-3/16	4.2520	3.2677	0.7087	0.5118	1.2205	0.3150	0.5118	1.5937	1.1417			SB206-19			
SBF206-20	1-1/4												SB206-20			
SBF206	30mm												SB206			
SBF207-20	1-1/4	117	92	19	15	34	9	13	42.86	32	5/16-24	7/16	SB207-20	F207	1.51	3.32
SBF207-21	1-5/16	4.6063	3.6220	0.7480	0.5906	1.3386	0.3543	0.5118	1.6874	1.2598			SB207-31			
SBF207-22	1-3/8												SB207-22			
SBF207-23	1-7/16												SB207-23			
SBF207	35mm												SB207			
SBF208-24	1-1/2	130	102	21	15	36	9.5	14	46.04	34	5/16-24	1/2	SB208-24	F208	1.97	4.33
SBF208	40mm	5.1181	4.0157	0.8268	0.5906	1.4173	0.3740	0.5512	1.8126	1.3386			SB208			

SAF200 SERIES - ECCENTRIC LOCKING COLLAR TYPE

A&L Unit Number	Shaft Dia. d	DIMENSIONS									Bolt Used	Bearing Number	Housing No.	Weight		
		L	J	A2	A1	A	S	N	Bi	B				d1	kg	lbs
SAF201-08	1/2	76.2	54	15	11	18	7	10	28.6	32.1	28.4	3/8	SA201-08	F-203	.53	1.16
SAF202-10	5/8	3.00	2.125	.5906	.4331	.708	.2756	.393	1.126	1.263	1.12	3/8	SA202-10			
SAF203	17mm												SA203			
SAF204-12	3/4	86	64	15	11	25.5	7	11.5	29.5	38.9	33.3	3/8	SA204-12	F204	0.64	1.41
SAF204	20mm	3.3858	2.5197	0.5906	0.4331	1.0039	0.2756	0.4528	1.1614	1.5315	1.3110		SA204			
SAF205-14	7/8	95	70	16	13	27	7.5	11.5	30.5	39.69	38.1	3/8	SA205-14	F205	0.84	1.85
SAF205-15	15/16	3.7402	2.7559	0.6299	0.5118	1.0630	0.2953	0.4528	1.2008	1.5626	1.5000		SA205-15			
SAF205-16	1												SA205-16			
SAF205	25mm												SA205			
SAF206-18	1-1/8	108	83	18	13	31	8	13	33.9	44.85	44.5	7/16	SA206-18	F206	1.14	2.51
SAF206-19	1-3/16	4.2520	3.2677	0.7087	0.5118	1.2205	0.3150	0.5118	1.3346	1.7657	1.7520		SA206-19			
SAF206-20	1-1/4												SA206-20			
SAF206	30mm												SA206			
SAF207-20	1-1/4	117	92	19	15	34	9	13	37.5	48.82	55.6	7/16	SA207-20	F207	1.62	3.56
SAF207-21	1-5/16	4.6063	3.6220	0.7480	0.5906	1.3386	0.3543	0.5118	1.4764	1.9220	2.1890		SA207-21			
SAF207-22	1-3/8												SA207-22			
SAF207-23	1-7/16												SA207-23			
SAF207	35mm												SA207			
SAF208-24	1-1/2	130	102	21	15	36	9.5	14	40.5	53.97	60.3	1/2	SA208-24	F208	1.80	3.96
SAF208	40mm	5.1181	4.0157	0.8268	0.5906	1.4173	0.3740	0.5512	1.5945	2.1248	2.3740		SA208			

NOTE: To specify relubricatable units, add "G" suffix.

UCFCF Flanged Cartridge Units

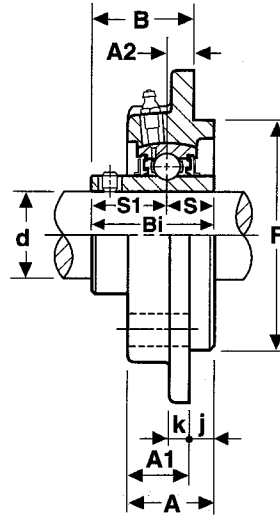
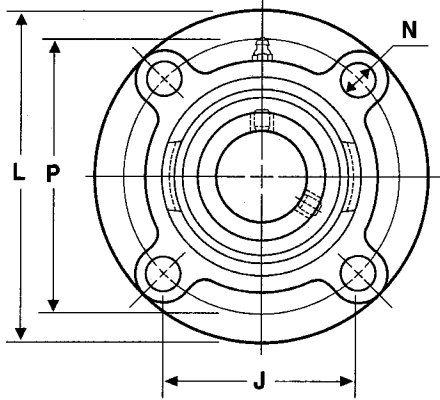
NORMAL DUTY INSERTS - SET SCREW TYPE



**B TYPE SEAL
STANDARD**



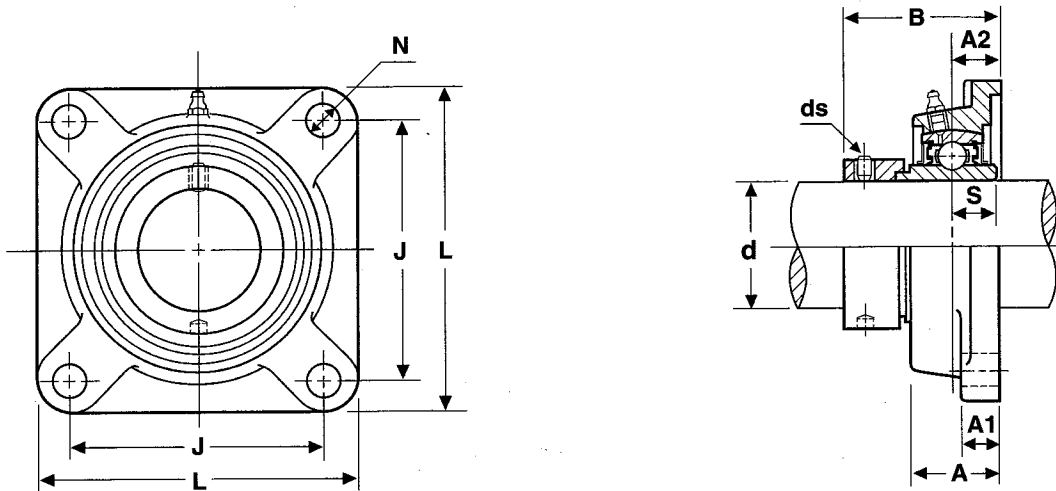
**R-3 TYPE SEAL
SPECIAL ORDER**



A&L Unit Number	Shaft Dia. d	DIMENSIONS															Bolt Used	Bearing Number	Housing No.	Weight lbs
		L	p	J	A2	A	N	j	k	A1	F	B	Bi	S	S1					
UCFCF205-14	7/8																	UC205-14	FCF205	2.60
UCFCF205-15	15/16	111.12	92.07	65.	22.23	28.17	10.32	6.35	9.52	14.97	76.2	30.96	34.00	14.30	19.70	5/16	UC205-15			
UCFCF205-16	1	4.3748	3.6248	2.562	0.8750	1.1091	0.4063	0.2500	0.3748	0.5894	3.0000	1.2188	1.3386	0.5630	0.7756	UC205-16				
UCFCF205	25mm																UC205			
UCFCF206-18	1-1/8																	UC206-18	FCF206	3.90
UCFCF206-19	1-3/16	127	104.78	73.8	7.54	30.56	11.91	10.72	9.53	19.84	85.72	29.77	38.10	15.90	22.20	3/8	UC206-19			
UCFCF206-20	1-1/4	5.0000	4.1250	2.906	0.2969	1.2031	0.4688	0.4219	0.3750	0.7811	3.3750	1.1719	1.5000	0.6260	0.8740	UC206-20				
UCFCF206	30mm																UC206			
UCFCF207-20	1-1/4																	UC207-20	FCF207	4.20
UCFCF207-21	1-5/16	133.35	111.12	78.6	7.14	34.13	11.91	11.91	12.7	22.23	92.07	32.54	42.90	17.50	25.40	3/8	UC207-21			
UCFCF207-22	1-3/8	5.2500	4.3750	3.094	0.2811	1.3437	0.4688	0.4688	0.5000	0.8750	3.6250	1.2811	1.6890	0.6890	1.0000	UC207-22				
UCFCF207-23	1-7/16																UC207-23			
UCFCF207	35mm																UC207			
UCFCF208-24	1-1/2	133.35	111.12	78.6	9.53	38.10	11.91	11.91	12.7	26.19	92.07	32.54	49.20	19.00	30.20	3/8	UC208-24	FCF208	4.60	
UCFCF208	40mm	5.2500	4.3750	3.094	0.3750	1.5000	0.4688	0.4688	0.5000	1.0911	3.6250	1.2811	1.9370	0.7480	1.1890	UC208				
UCFCF209-26	1-5/8																	UC209-26	FCF209	6.20
UCFCF209-27	1-11/16	155.57	130.18	92.08	5.56	34.13	13.49	11.91	11.51	22.23	107.95	35.72	49.20	19.00	30.20	7/16	UC209-27			
UCFCF209-28	1-3/4	6.1250	5.1250	3.625	0.2188	1.3437	0.5311	0.4688	0.4531	0.8750	4.2500	1.4062	1.9370	0.7480	1.1890	UC209-28				
UCFCF209	45mm																UC209			
UCFCF210-30	1-7/8																	UC210-30	FCF210	7.00
UCFCF210-31	1-15/16	161.93	136.53	96.4	8.73	42.36	13.49	15.88	12.7	26.99	114.30	41.28	51.60	19.00	32.60	7/16	UC210-31			
UCFCF210-32	2	6.3750	5.3750	3.797	0.3438	1.6875	0.5311	0.6250	0.5000	1.0625	4.5000	1.6250	2.0315	0.7480	1.2835	UC210-32				
UCFCF210	50mm																UC210			
UCFCF211-32	2																	UC211-32	FCF211	9.10
UCFCF211-34	2-1/8	180.97	152.40	107.95	5.56	44.45	15.08	22.23	12.70	22.23	127.00	38.89	55.60	22.20	33.40	1/2	UC211-34			
UCFCF211-35	2-3/16	7.1250	6.0000	4.2500	0.2188	1.7500	0.5938	0.8750	0.5000	0.8750	5.0000	1.5312	2.1890	0.8740	1.3150	UC211-35				
UCFCF211	55mm																UC211			

HCFS 4-Bolt Flange Unit

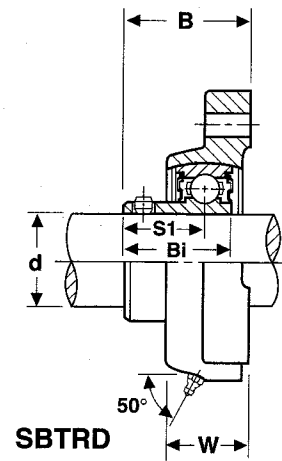
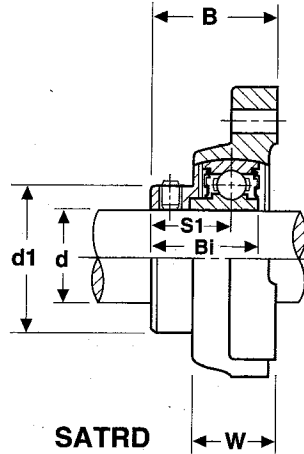
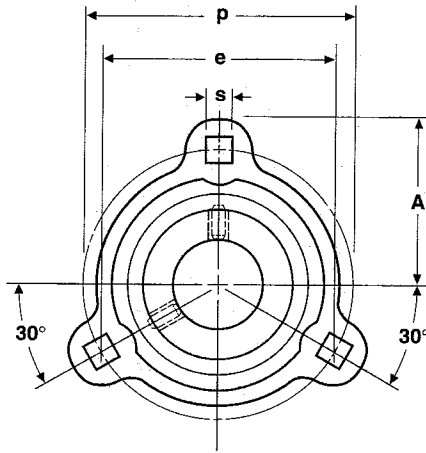
ECCENTRIC LOCKING COLLAR TYPE



A&L Unit Number	Shaft Dia. d	DIMENSIONS								Set Screw ds UNF	Bolt Used	Bearing Number	Housing No.	Weight						
		L	J	A2	A1	A	S	N	B					kg	lbs					
HCFS201-8	1/2											HC201-8	FS204	0.7	1.54					
HCFS202-10	5/8		63.5	19	15	29.5	17	11.5	45.5	1/4-28	3/8	HC202-10								
HCFS204-12	3/4	3.3858	2.5000	0.7480	0.5906	1.1614	0.6693	0.4528	1.7913			HC204-12								
HCFS204	20mm											HC204								
HCFS205-14	7/8											1/4-28	3/8	HC205-14	FS205	0.8	1.76			
HCFS205-15	15/16	93	70	19	15	30	17.4	11.5	45.9	HC205-15										
HCFS205-16	1	3.6614	2.7559	0.7480	0.5906	1.1811	0.6850	0.4528	1.8071	HC205-16										
HCFS205	25mm									HC205										
HCFS206-18	1-1/8									5/16-24	7/16	HC206-18	FS206	1.2	2.64					
HCFS206-19	1-3/16	106	82.5	20	16	32.5	18.2	13	50.1			HC206-19								
HCFS206-20	1-1/4	4.1732	3.2480	0.7874	0.6299	1.2795	0.7165	0.5118	1.9724			HC206-20								
HCFS206	30mm											HC206								
HCFS207-20	1-1/4									5/16-24	7/16	HC207-20	FS207	1.6	3.52					
HCFS207-21	1-5/16	116	92	21	17	35	18.8	13	53.3			HC207-21								
HCFS207-22	1-3/8	4.5669	3.6220	0.8268	0.6693	1.3780	0.7402	0.5118	2.0984			HC207-22								
HCFS207-23	1-7/16											HC207-23								
HCFS207	35mm										HC207									
HCFS208-24	1-1/2	129	101.5	24	17	39	21.4	14	58.9	5/16-24	1/2	HC208-24	FS208	1.9	4.18					
HCFS208	40mm	5.0787	3.9961	0.9449	0.6693	1.5354	0.8425	0.5512	2.3189			HC208								
HCFS209-26	1-5/8											5/16-24				9/16	HC209-26	FS209	2.3	5.06
HCFS209-27	1-11/16	135	105	24	18	40	21.4	16	58.9								HC209-27			
HCFS209-28	1-3/4	5.3150	4.1339	0.9449	0.7087	1.5748	0.8425	0.6299	2.3189	HC209-28										
HCFS209	45mm									HC209										
HCFS210-30	1-7/8									5/16-24	9/16	HC210-30	FS210	2.6	5.72					
HCFS210-31	1-15/16	143	111	28	20	45	24.6	16	66.1			HC210-31								
HCFS210-32	2	5.6299	4.3701	1.1024	0.7874	1.7717	0.9685	0.6299	2.6024			HC210-32								
HCFS210	50mm											HC210								
HCFS211-32	2									3/8-24	5/8	HC211-32	FS211	3.8	8.36					
HCFS211-34	2-1/8	162	130	31	21	49	27.7	17	74.6			HC211-34								
HCFS211-35	2-3/16	6.3780	5.1181	1.2205	0.8268	1.9291	1.0906	0.6693	2.9370			HC211-35								
HCFS211	55mm											HC211								
HCFS212-36	2-1/4									3/8-24	5/8	HC212-36	FS212	4.8	10.56					
HCFS212-38	2-3/8	175	143	34	22	53.5	30.9	17	80.8			HC212-38								
HCFS212-39	2-7/16	6.8898	5.6299	1.3386	0.8661	2.1063	1.2165	0.6693	3.1811			HC212-39								
HCFS212	60mm											HC212								
HCFS213-40	2-1/2	184	149	38	22	58	34.1	18	89.6	3/8-24	5/8	HC213-40	FS213	6	13.2					
HCFS213	65mm	7.2441	5.8661	1.4961	0.8661	2.2835	1.3425	0.7087	3.5276			HC213								
HCFS214-44	2-3/4	188	152	38	23	60	34.1	18	89.6			HC214-44								
HCFS214	70mm	7.4016	5.9843	1.4961	0.9055	2.3622	1.3425	0.7087	3.5276			HC214								
HCFS215-47	2-15/16	200	152.4	41	24	62	37.3	20	95.8	3/8-24	5/8	HC205-47	FS215	7.2	15.84					
HCFS215-48	3	7.8740	6.0000	1.6142	0.9449	2.4409	1.4685	0.7874	3.7717			HC215-48								
HCFS215	75mm											HC215								

SBTRD/SATRD 3-Bolt Ductile Iron Flange Units

NARROW INNER RING INSERTS



SBTRD200 SERIES - SET SCREW TYPE

A&L Unit Number	Shaft Dia. d	DIMENSIONS								Bolt Used	Bearing Number	Housing No.	Weight		
		A	P	e	W	B	S	Bi	S1				kg	lbs	
SBTRD205-14	7/8														
SBTRD205-15	15/16	47.625	76.2	65.99	19.84	29.76	8.73	27	19.5	5/16	SB205-14	TRD205	.37	.82	
SBTRD205-16	1	1.875	3.000	2.598	0.781	1.172	0.344	1.063	0.768		SB205-15				
SBTRD205	25mm										SB205-16				
											SB205				
SBTRD206-17	1-1/16										SB206-17	TRD206	.33	.73	
SBTRD206-18	1-1/8	56.374	90.487	78.34	22.23	34.13	10.32	29	21	3/8	SB206-18				
SBTRD206-19	1-3/16	2.219	3.562	3.084	0.875	1.344	0.406	1.142	0.827		SB206-19				
SBTRD206-20	1-1/4										SB206-20				
SBTRD206	30mm										SB206				
SBTRD207-20	1-1/4										SB207-20	TRD207	.71	1.57	
SBTRD207-21	1-5/16	61.12	100	86.61	23.82	36.51	10.32	32	23	3/8	SB207-21				
SBTRD207-22	1-3/8	2.406	3.937	3.410	0.938	1.437	0.406	1.260	0.906		SB207-22				
SBTRD207-23	1-7/16										SB207-23				
SBTRD207	35mm										SB207				

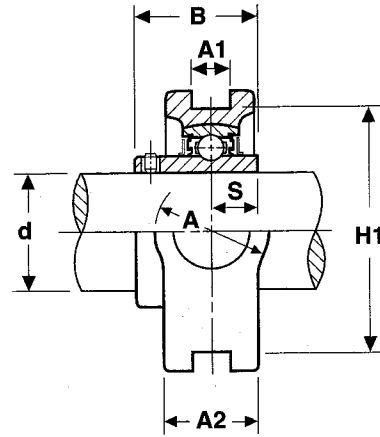
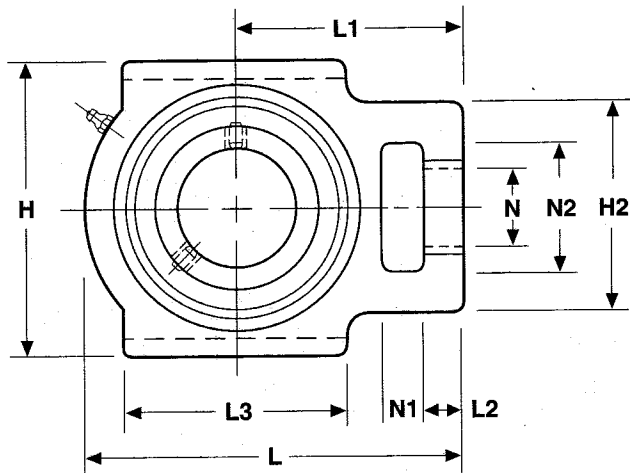
SATRD200 SERIES - ECCENTRIC LOCKING COLLAR TYPE

A&L Unit Number	Shaft Dia. d	DIMENSIONS								Bolt Used	Bearing Number	Housing No.	Weight		
		A	P	e	W	B	S	Bi	S1				d1	kg	lbs
SATRD205-14	7/8														
SATRD205-15	15/16	47.625	76.2	65.99	19.84	29.76	8.73	30.5	23	5/16	SA205-14	TRD205	.39	.86	
SATRD205-16	1	1.875	3.000	2.598	0.781	1.172	0.344	1.201	0.906	1.500	SA205-15				
SATRD205	25mm										SA205-16				
											SA205				
SATRD206-17	1-1/16										SA206-17	TRD206	.61	1.35	
SATRD206-18	1-1/8	56.357	90.487	78.34	22.23	29.76	10.32	33.9	25.9	3/8	SA206-18				
SATRD206-19	1-3/16	2.219	3.562	3.084	0.875	1.172	0.406	1.335	1.020	1.752	SA206-19				
SATRD206-20	1-1/4										SA206-20				
SATRD206	30mm										SA206				
SATRD207-20	1-1/4										SA207-20	TRD207	.82	1.81	
SATRD207-21	1-5/16	61.12	100	86.61	23.82	36.51	10.32	37.5	28.5	3/8	SA207-21				
SATRD207-22	1-3/8	2.406	3.937	3.410	0.938	1.437	0.406	1.476	1.122	2.189	SA207-22				
SATRD207-23	1-7/16										SA207-23				
SATRD207	35mm										SA207				

NOTE: To specify relubricatable units, add "G" suffix.

UCT Take-up Units

WIDE SLOT — SET SCREW TYPE



A&L Unit Number	Shaft Dia. d	DIMENSIONS															Set Screw ds UNF	Bearing Number	Housing No.	Weight	
		N1	L2	H2	N2	N	L3	A1	H1	H	L	A	A2	L1	B	S				kg.	lbs
UCT204-12 UCT204	3/4 20mm	16	10	51	32	19	51	13.5	76	89	94	32	21	61	31	12.7	1/4-28	UC204-12 UC204	T204	0.79	1.74
UCT205-14 UCT205-15 UCT205-16 UCT205	7/8 15/16 1 25mm	16	10	51	32	19	51	13.5	76	89	97	32	24	62	34	14.3	1/4-28	UC205-14 UC205-15 UC205-16 UC205	T205	0.88	1.94
UCT206-18 UCT206-19 UCT206-20 UCT206	1-1/8 1-3/16 1-1/4 30mm	16	10	56	37	22	57	13.5	89	102	113	37	28	70	38.1	15.9	1/4-28	UC206-18 UC206-19 UC206-20 UC206	T206	1.30	2.86
UCT207-20 UCT207-21 UCT207-22 UCT207-23 UCT207	1-1/4 1-5/16 1-3/8 1-7/16 35mm	16	13	64	37	22	64	13.5	89	102	129	37	30	78	42.9	17.5	5/16-24	UC207-20 UC207-21 UC207-22 UC207-23 UC207	T207	1.70	3.74
UCT208-24 UCT208	1-1/2 40mm	19	16	83	49	29	83	17.5	101	114	144	49	33	88	49.2	19	5/16-24	UC208-24 UC208	T208	2.50	5.50
UCT209-26 UCT209-27 UCT209-28 UCT209	1-5/8 1-11/16 1-3/4 45mm	19	16	83	49	29	83	17.5	101	117	144	49	35	87	49.2	19	5/16-24	UC209-26 UC209-27 UC209-28 UC209	T209	2.50	5.50
UCT210-30 UCT210-31 UCT210-32 UCT210	1-7/8 1-15/16 2 50mm	19	16	83	49	29	86	17.5	101	117	149	49	37	90	51.6	19	3/8-24	UC210-30 UC210-31 UC210-32 UC210	T210	2.60	5.72
UCT211-32 UCT211-34 UCT211-35 UCT211	2 2-1/8 2-3/16 55mm	25	19	102	64	35	95	27	130	146	171	64	38	106	55.6	22.2	3/8-24	UC211-32 UC211-34 UC211-35 UC211	T211	4.00	8.80
UCT212-36 UCT212-38 UCT212-39 UCT212	2-1/4 2-3/8 2-7/16 60mm	32	19	102	64	35	102	27	130	146	194	64	42	119	65.1	25.4	3/8-24	UC212-36 UC212-38 UC212-39 UC212	T212	4.90	10.78
UCT213-40 UCT213	2-1/2 65mm	32	21	111	70	41	121	27	151	167	224	70	44	137	65.1	25.4	3/8-24	UC213-40 UC212	T213	7.00	15.40
UCT214-44 UCT214	2-3/4 70mm	32	21	111	70	41	121	27	151	167	224	70	46	137	74.6	30.2	7/16-20	UC214-44 UC214	T214	7.10	15.62
UCT215-47 UCT215-48 UCT215	2-15/16 3 75mm	32	21	111	70	41	121	27	151	167	232	70	48	140	77.8	33.3	7/16-20	UC215-47 UC215-48 UC215	T215	7.50	16.50

NOTE: T204 - T208 also available with special metric slot widths.